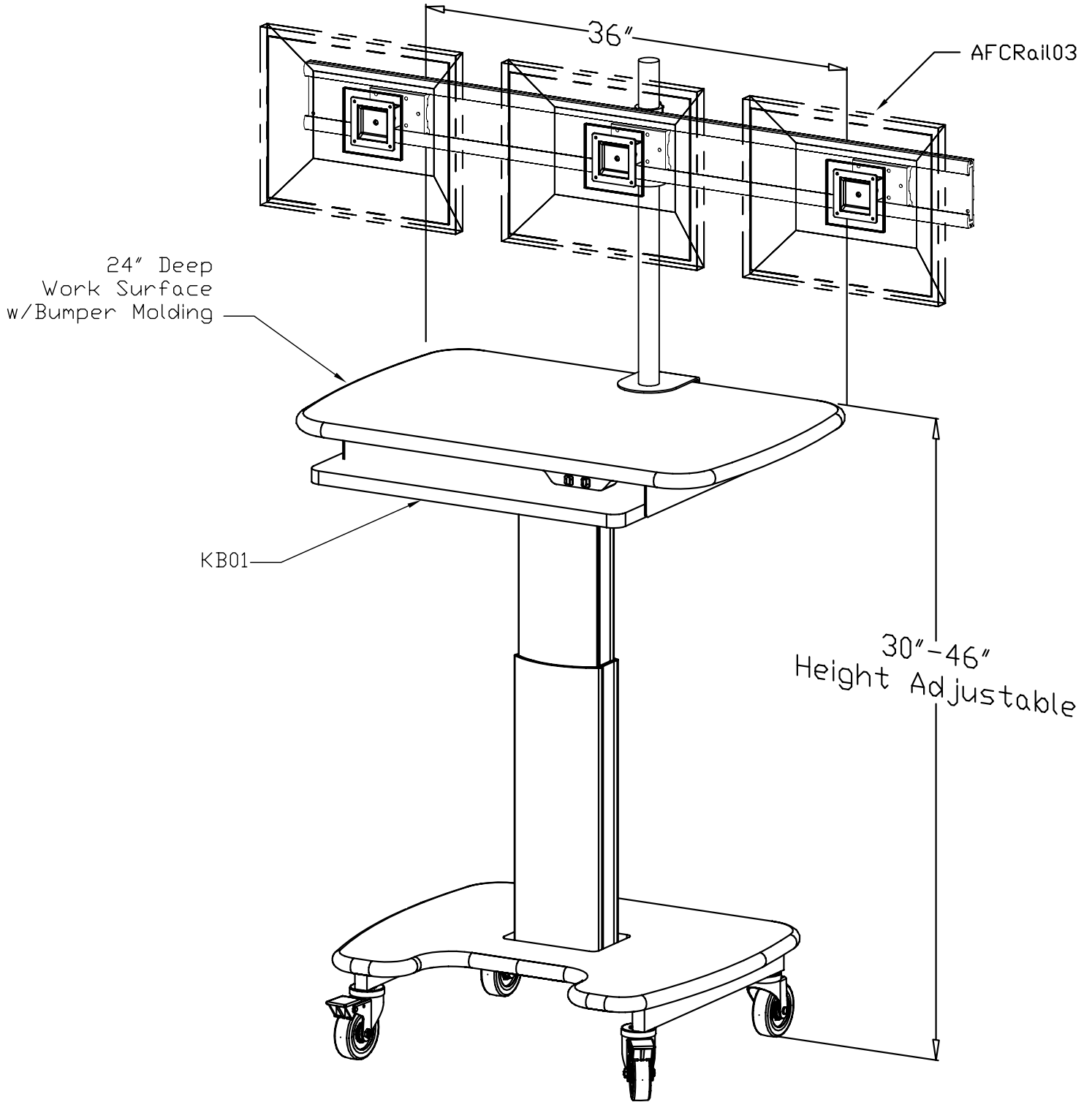


Telescopic Cart 3624 with 3 Monitors



MATERIAL :	DRAWN BY : CD	DATE: 05/03/07	DESCRIPTION :
	A P P R O V E D		TC3424(DX)
TOLERANCES UNLESS OTHERWISE SPECIFIED FRACTIONAL ±1/64 2 PLC. DEC. ±.01 3PLC. DEC. ±.001 ANGULAR ±.5° FINISH √	ENG :		USED ON :
	MFG :		PATH :
	QA :		FIN. ASSEMBLIES\MAXFLEX\TC3600\TC3624
	SCALE: N.T.S.	SHEET : 1 OF 1	PDF NAME: TC3624(DX)_B_S_1RKB_3Z_00_0_B_000_01