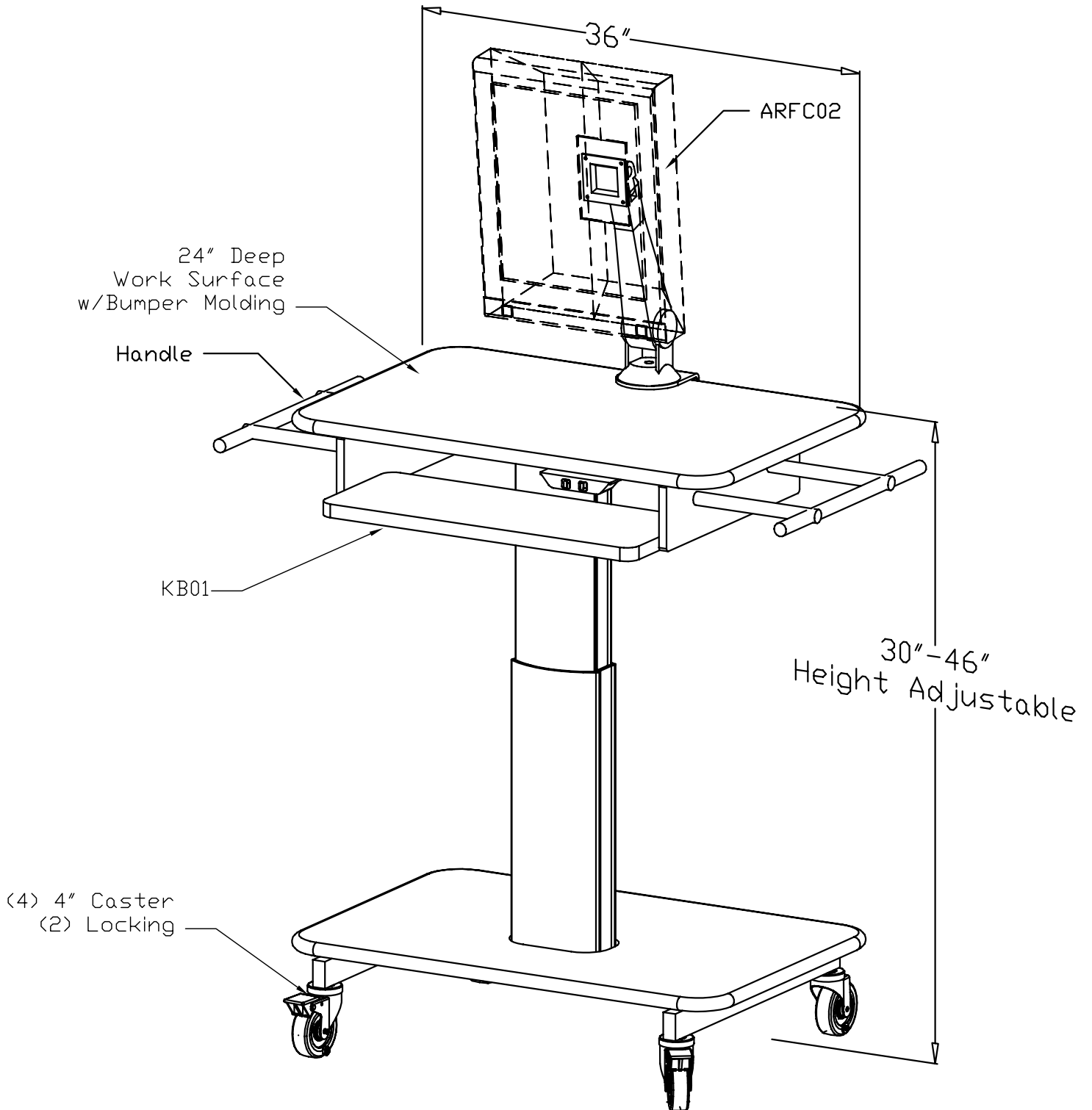


Telescopic Cart 3624



MATERIAL :	DRAWN BY : CD	DATE: 05/03/07	DESCRIPTION :
	A P P R O V E D		TC39624
TOLERANCES UNLESS OTHERWISE SPECIFIED FRACTIONAL ±1/64 2 PLC. DEC. ±.01 3PLC. DEC. ±.001 ANGULAR ±.5' FINISH √	ENG :		USED ON :
	MFG :		PATH :
	QA :		FIN. ASSEMBLIES\MAXFLEX\TC3600\TC3624
	SCALE: N.T.S.	SHEET : 1 OF 1	PDF NAME: TC-07