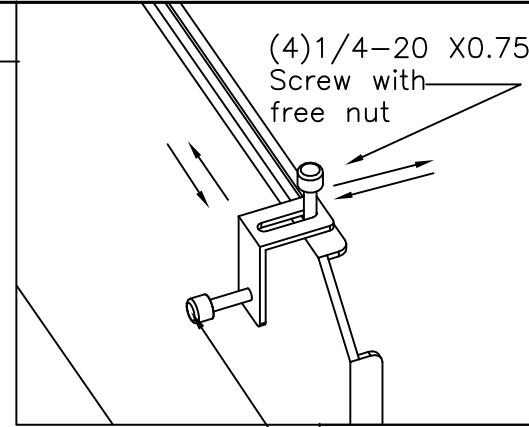
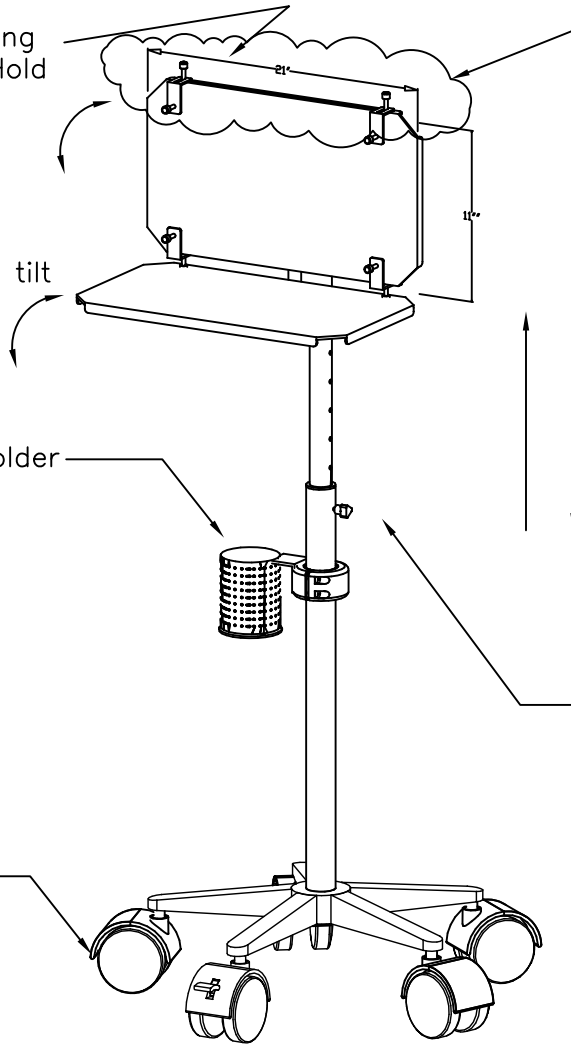


Adjustable Locking Mechanism to Hold Tablet in Place

Both Surface can tilt independently

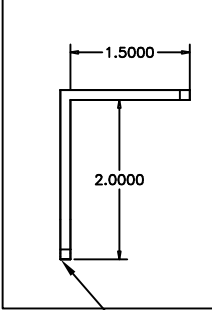
Supply holder

(5)4" Caster
(1) Locking



(4) 1/4-20 Nylon Screw

Spring Loaded Knob with 2" increments of height adjustment from ~30"-40"



(4) 11GA 1"W L-Bracket

NOTES :

MATERIAL : AS NOTED ABOVE	
TOLERANCES UNLESS OTHERWISE SPECIFIED	
FRACTIONAL	±1/64
2 PLC. DEC.	±.01
3PLC. DEC.	±.001
ANGULAR	±.5°
FINISH	32

DRAWN BY : V.G.M	DATE: 08/18/07
A P P R O V E D	
ENG :	
MFG :	
QA :	
SCALE : N.T.S.	SHEET : 1 OF 1

DESCRIPTION : Tablet Cart			
USED ON :			
PATH : F.Assmby\MAXFLEX\Tablet Cart			
PDF NAME: TBCT_SH_00_01	FOLDER :	REV:	SIZE A