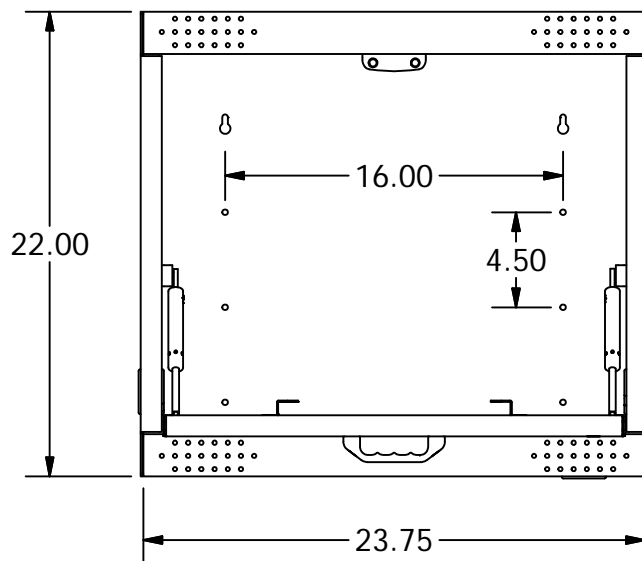
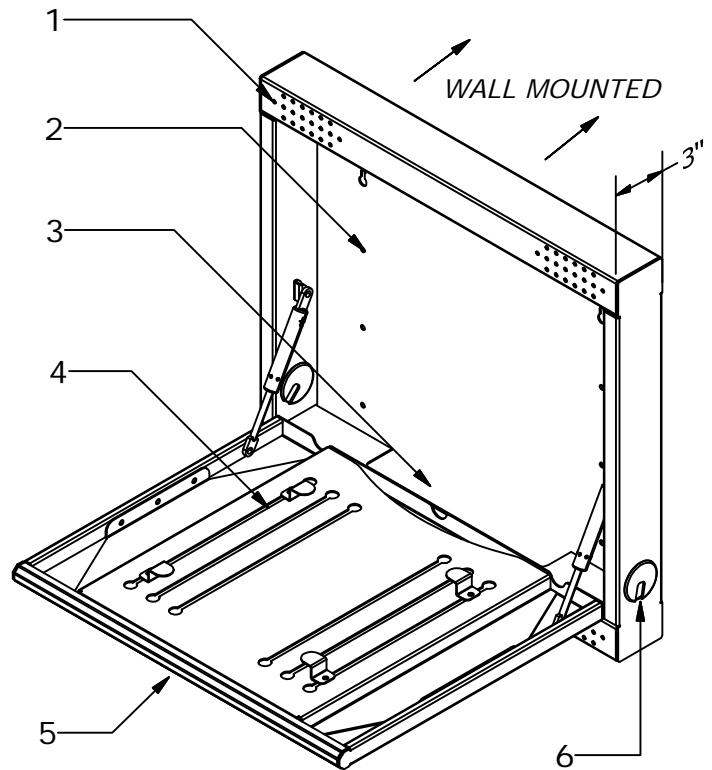


**METAL I-CENTER [LAPTOP]**

1. Holes for ventilation
2. Wall Mounting Holes
3. Space for laptop charger tab
4. Laptop Platform w/lock-in place brackets
5. Door w/ Handle
6. 2" Grommet Holes for cables both sides



MATERIAL: Cold Rolled Steel  
 NOTES:

*Concept Drawing Only*  
*Final Design may vary*  
 All Dimensions in Inches

DRAWN BY: PR

SCALE:

ENG:

MFG:

QA:

DATE: 7/14/2011

DESCRIPTION: METAL I-CENTER FOR LAPTOP

PATH: L/Final Assmby/I-Center/Metal

PART: IR700-001