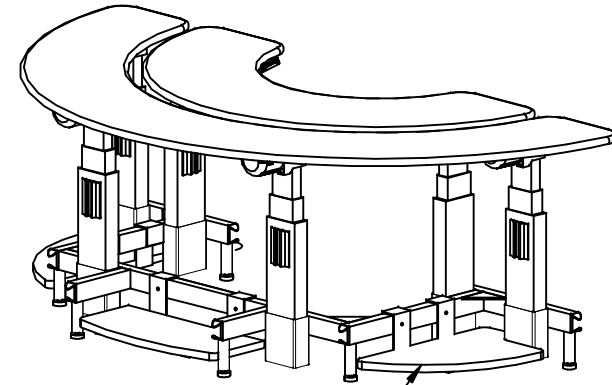
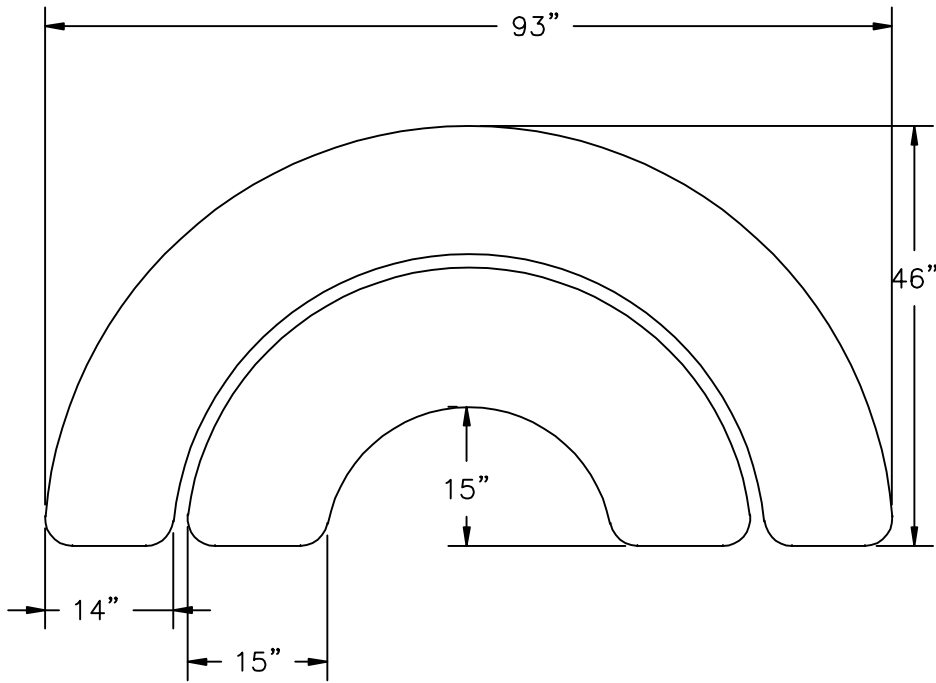
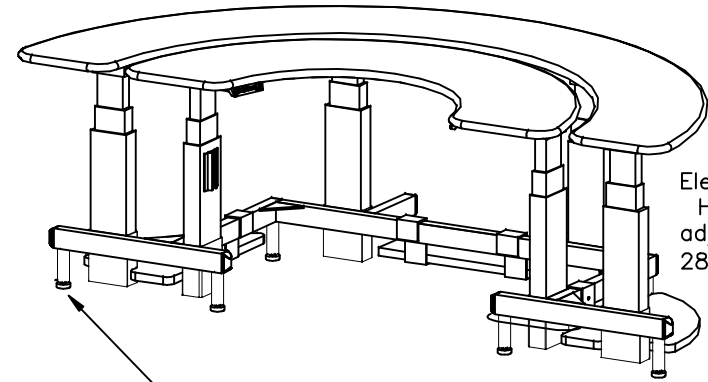




**TOP VIEW**



Bottom Shelf



Adjustable Glides

Electronically  
Height  
adjustable  
28"-47"

NOTES :

MATERIAL :

DRAWN BY : VGM

DATE: 05/25/11

DESCRIPTION :

A P P R O V E D

TOLERANCES UNLESS OTHERWISE SPECIFIED  
FRACTIONAL ±0.5"

ENG :

MFG :

QA :

SCALE : N.T.S.

SHEET : 1 OF 1

USED ON :

PATH : MAXFLEX\DUAL TIER\HALF MOON

NUMBER : DTHM9346-101

SIZE  
A