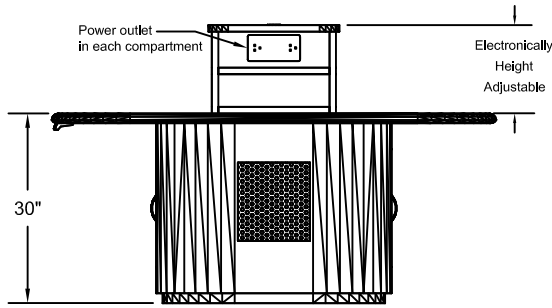
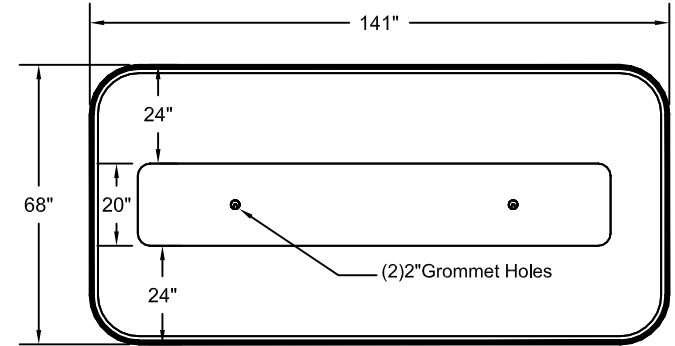


SIDE VIEW



Notes:

- Voice and Data ports for each terminal
- Power strips provided w/ spare outlets



TOP VIEW

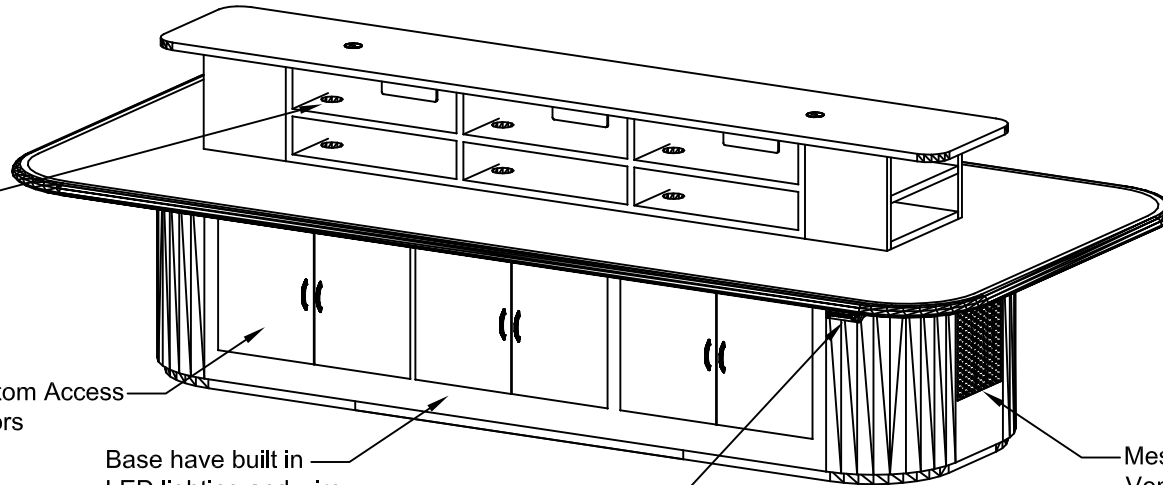
Grommet Hole in each compartment

Bottom Access Doors

Base have built in LED lighting and wire managers installed

Control Switch for Height Adjustment

Mesh for Ventilation (both sides)



ISOMETRIC VIEW

NOTES :

MATERIAL :
AS NOTED ABOVE

TOLERANCES UNLESS OTHERWISE SPECIFIED
FRACTIONAL ±1/64
2 PLC. DEC. ±.01
3PLC. DEC. ±.001
ANGULAR ±.5°
FINISH $\sqrt{32}$

DRAWN BY : PR

DATE: 04/13/11

DESCRIPTION :

Conference Table

A P P R O V E D

USED ON :

ENG :

MFG :

QA :

PATH : L/Cabinetry/Conference Table

SCALE : N.T.S.

SHEET : 1 OF 1

PDF NAME: AFC_CT14168-01

FOLDER :

REV: SIZE A