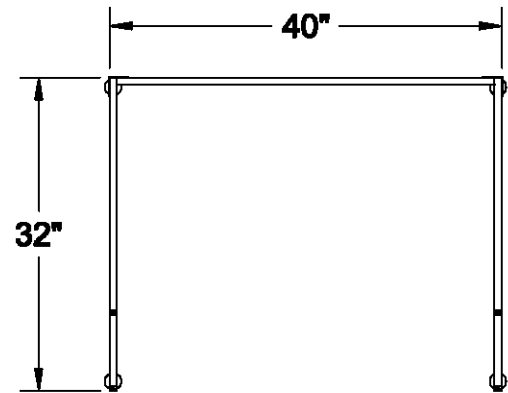
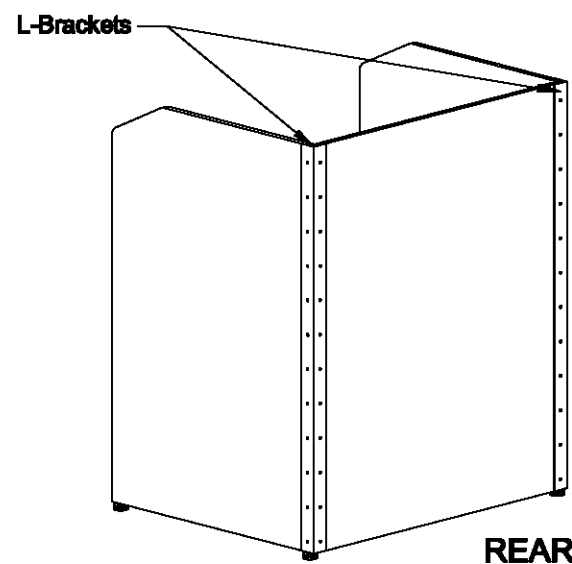


(4) Adjustable Glides

ISOMETRIC VIEW



TOP VIEW



REAR ISO VIEW

NOTES:	MATERIAL:	DRAWN BY: YN	DATE: 07/06/12	DESCRIPTION:
	TOLERANCES UNLESS OTHERWISE SPECIFIED FRACTIONAL ±1/64 2 PLC. DEC. ±.01 3PLC. DEC. ±.001 ANGULAR FRESH	APPROVED		Partition
		ENG:		USED ON:
		MFG:		PATH: V.Assy\Accessories\Partition\
		QA:		PDF NAME: Partition Wood_403248_01
		NOT TO SCALE	SHEET: 1 OF 1	REV: SIZE A