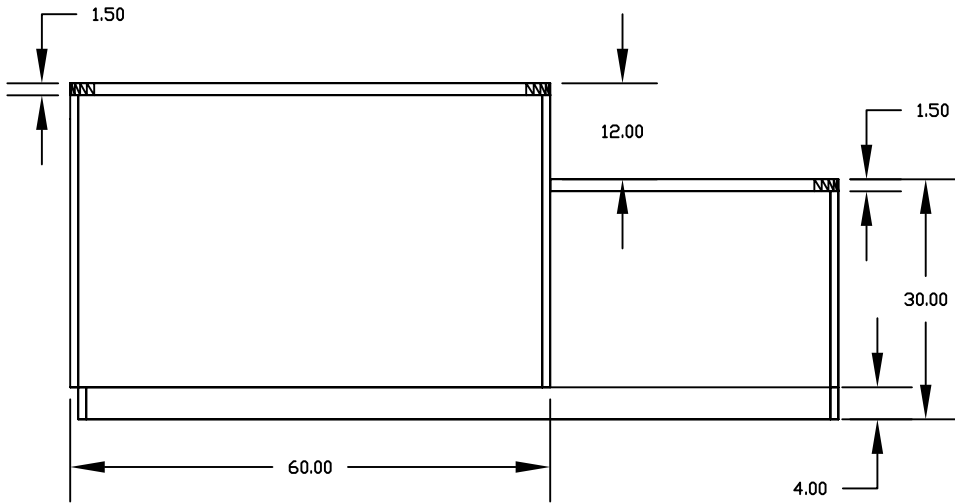
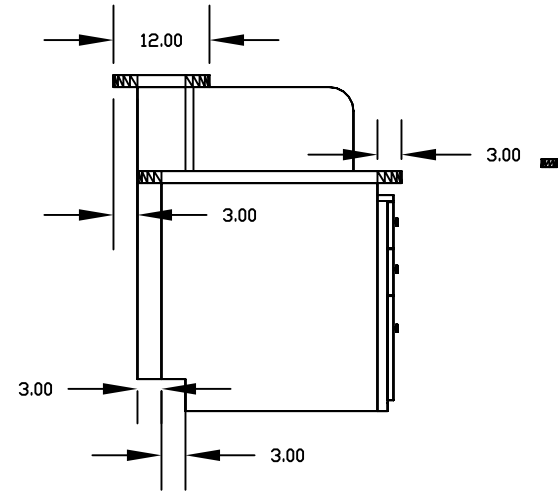


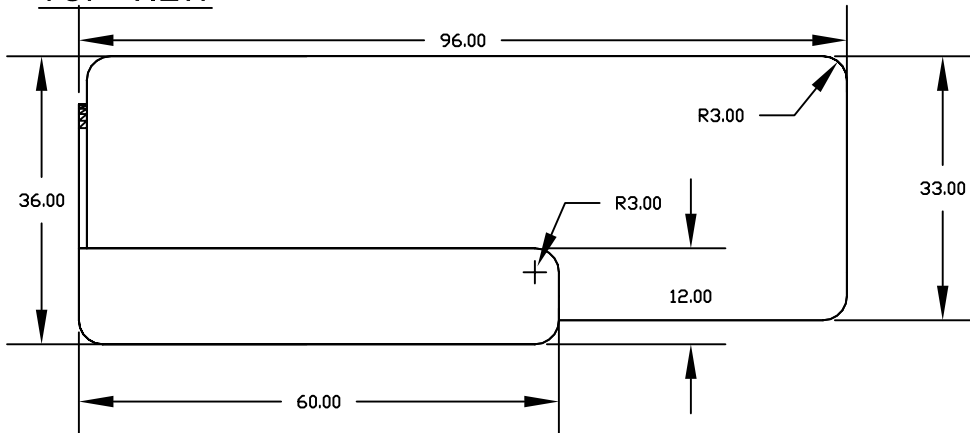
FRONT VIEW



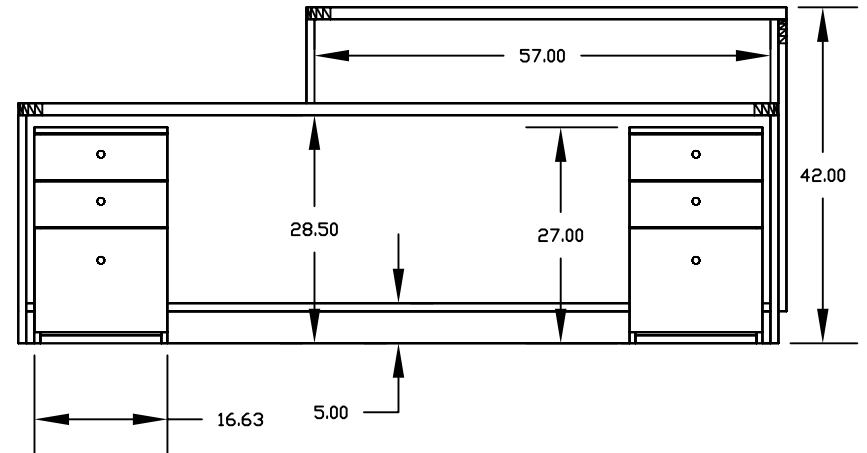
SIDE VIEW



TOP VIEW



BACK SIDE VIEW



NOTES :

MATERIAL :

DRAWN BY : KH

DATE: 01-18-10

DESCRIPTION :

A P P R O V E D

TOLERANCES UNLESS OTHERWISE SPECIFIED

ENG :

USED ON :

FRACTIONAL ±1/64  
2 PLC. DEC. ±.01  
3 PLC. DEC. ±.001

MFG :

PATH : Frontdesk 963042

FINISH

±.5°  
32/

QA :

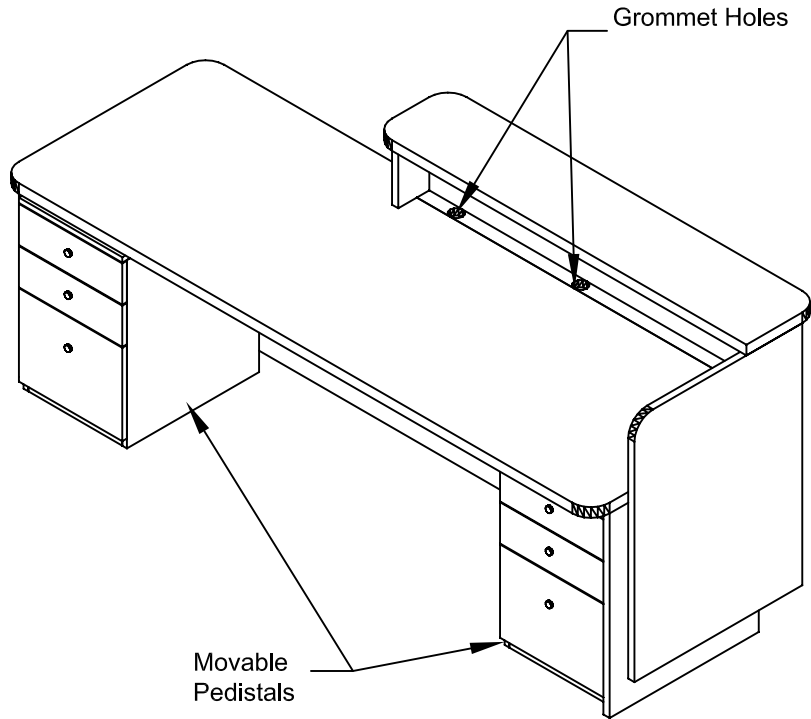
SCALE 1/2"=1'-0"

SHEET : 2 OF 2

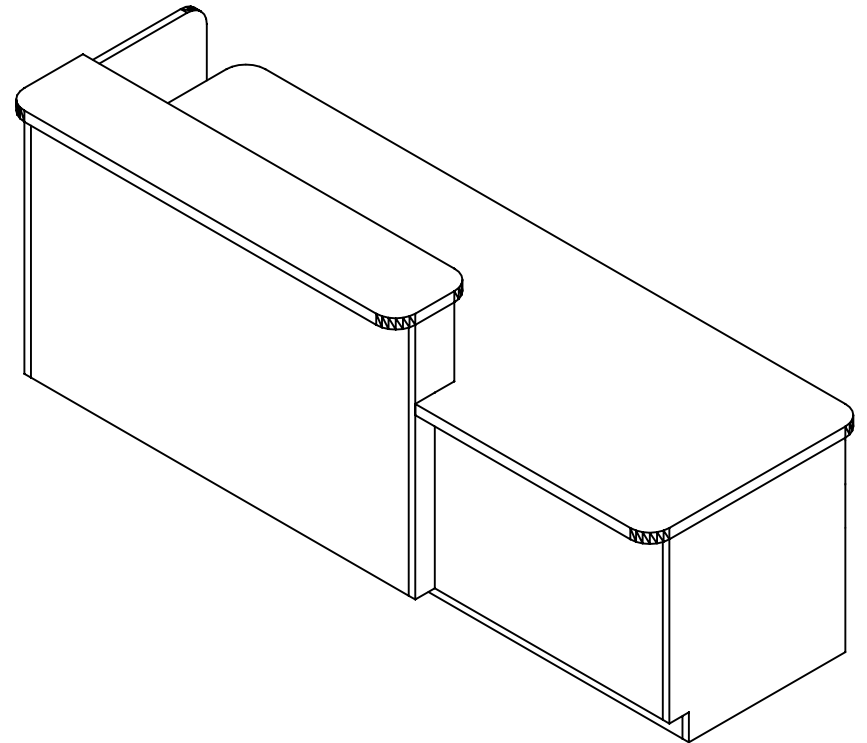
PDF NAME :

REV: SIZE  
A

ISOMETRIC VIEW



REAR SIDE ISOMETRIC VIEW



NOTES :	MATERIAL :	DRAWN BY : KH	DATE: 01-18-10	DESCRIPTION :
	TOLERANCES UNLESS OTHERWISE SPECIFIED	A P P R O V E D		USED ON :
	FRACTIONAL ±1/64 2 PLC. DEC. ±.01 3PLC. DEC. ±.001	ENG :		PATH : Frontdesk 963042
	ANGULAR ±.5° FINISH	MFG :		PDF NAME:
		QA :		REV: SIZE
		NOT TO SCALE	SHEET: 1 OF 2	A