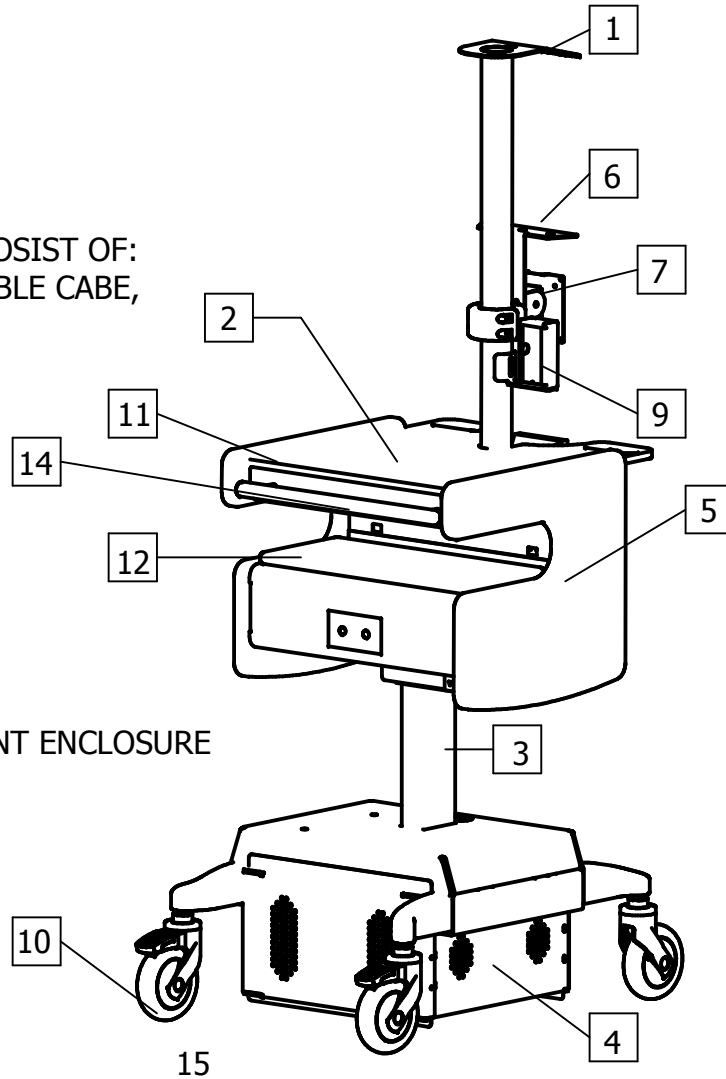
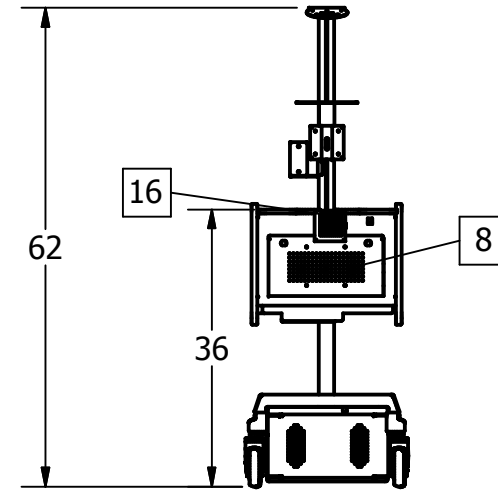


**DISCREPTIONS:**

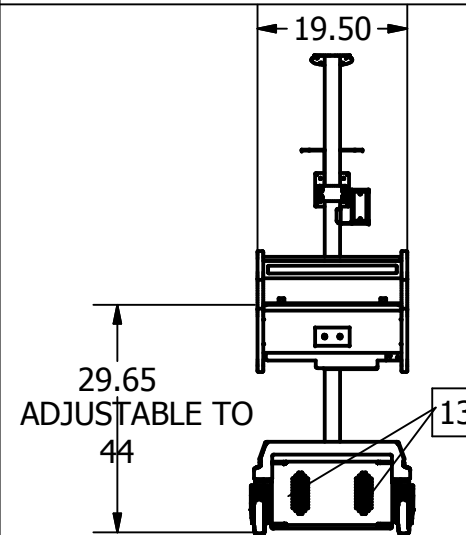
- 1- CAMERA MOUNT
- 2- LAPTOP COMPARTMENT
- 3- TELESCOPING STAND
- 4- UTILTY COMPARTMENT COSIST OF:  
STAND CONTROL, RETACTABLE CABE,  
AND POWER SUPPLY
- 5- SIDE PANEL
- 6- AP ANTENNA
- 7-MONITOR MOUNT
- 8- ACCESS DOOR
- 9- E-LERT BOX
- 10- WHEELS
- 11- TOP PANEL (18 X 16)
- 12 KEYBOARD & MOUSE ASSY
- 13- VENTILATION WINDOWS
- 14- HANDLE
- 15- COMPONENT COMPARTMENT ENCLOSURE
- 16- SPEAKER



ISO VIEW



REAR VIEW



FRONT VIEW

**NOTES:**

COLOR: WHITE  
PLASTIC: GRAY

**MATERIAL:**

SHEET 1 OF 1  
SCALE:

DRAWN BY: BN

DATE: 12/21/2012

DESCRIPTION: VSC-PC910-303-CA

APPROVED:

ENG:

MFG:

QA:

PATH: L:\Final Assemblies (CAD)\MAXFLEX  
SERIES\PC CART SERIES\PC910\XPC910\_101.idw