

Monitor Bracket  
VESA 75/100 compliant  
AFC 22 on front  
AFCZ540 on rear with  
2" Pole 18"H with cut out  
in pole for internal Wiring

Handle

Retractable KB tray  
18"x8"

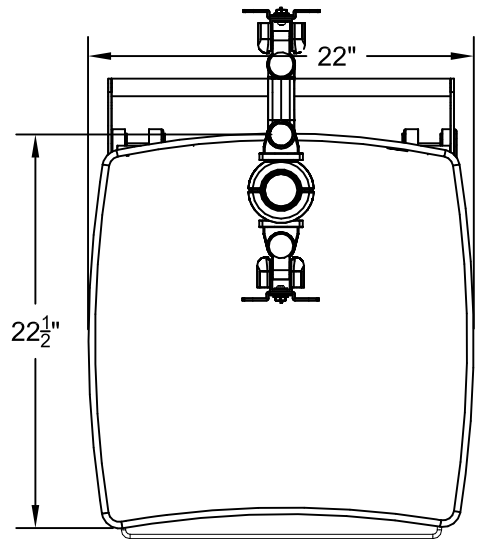
CPU Holder  
CPU99

(4)4" Casters  
(2) Locking

Lever for  
Height  
Adjustment

CPU holder  
18"H x5"Wx18"D

*Pneumatically  
Height  
Adjustable  
30"-42"*



Note : *Concept Drawing Only  
Final Design may vary*

DRAWN BY : PR

DATE: 03/11/2011

DESCRIPTION :

PC CART

A P P R O V E D

TOLERANCES UNLESS  
OTHERWISE SPECIFIED

ENG :

USED ON :

FRACTIONAL ±1/64  
2 PLC. DEC. ±.01  
3PLC. DEC. ±.001  
ANGULAR ±.5'  
FINISH √

MFG :

PATH :

Maxflex/PC800

QA :

PDF NAME:

XPC800-05

SCALE: N.T.S.

SHEET : 1 of 1