

Monitor Bracket
VESA 75/100 compliant
AFC 22 on front
AFCZ540 on rear with
2" Pole 18"H with cut out
in pole for internal Wiring

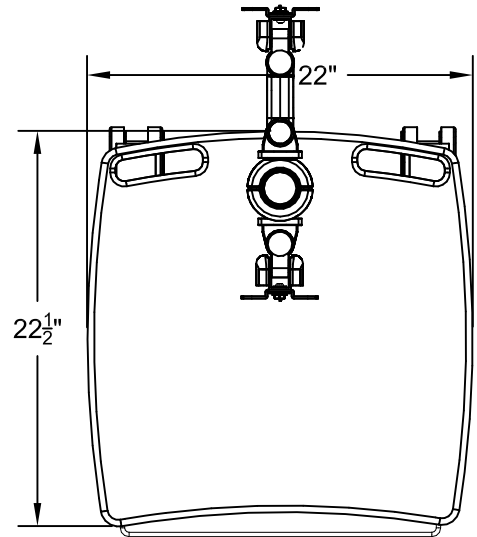
Work Surface w/ Handles

Retractable KB tray
18"x8"

Lever for
Height
Adjustment

CPU Holder
CPU99

(4)4" Casters
(2) Locking



Pneumatically
Height
Adjustable
30"-42"

Note : *Concept Drawing Only*
Final Design may vary

DRAWN BY : PR

DATE: 03/11/2011

DESCRIPTION :

PC CART

A P P R O V E D

TOLERANCES UNLESS
OTHERWISE SPECIFIED

FRACTIONAL ±1/64
2 PLC. DEC. ±.01
3PLC. DEC. ±.001
ANGULAR ±.5'
FINISH √

ENG :

MFG :

QA :

SCALE: N.T.S.

SHEET : 1 of 1

USED ON :

PATH :

Maxflex/PC800

PDF NAME:

XPC800-04