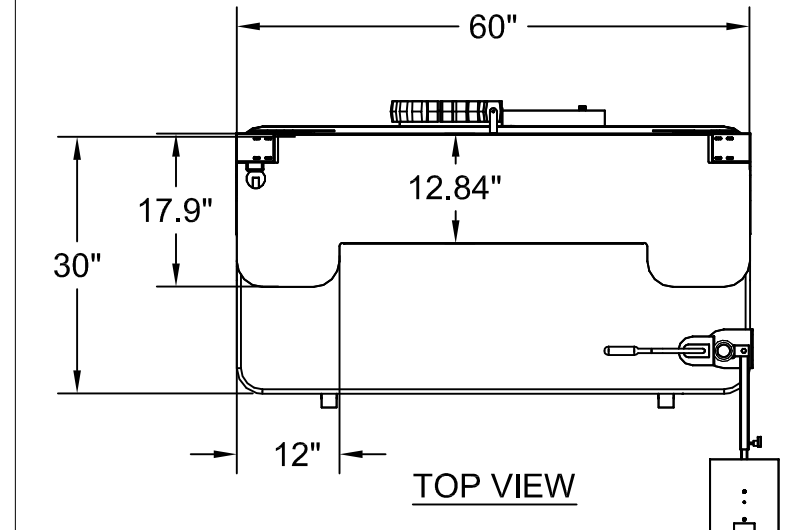
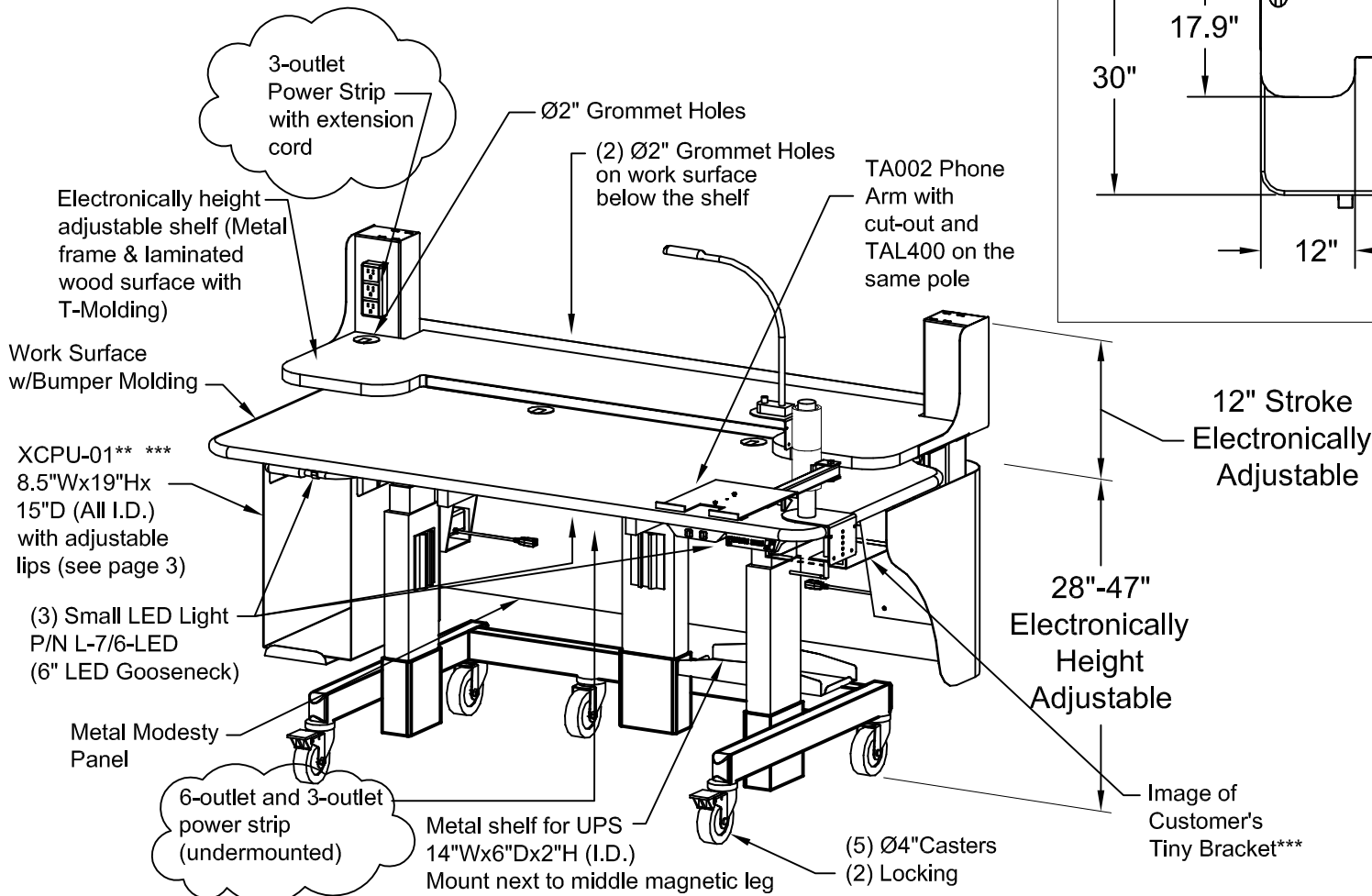


ISOMETRIC VIEW



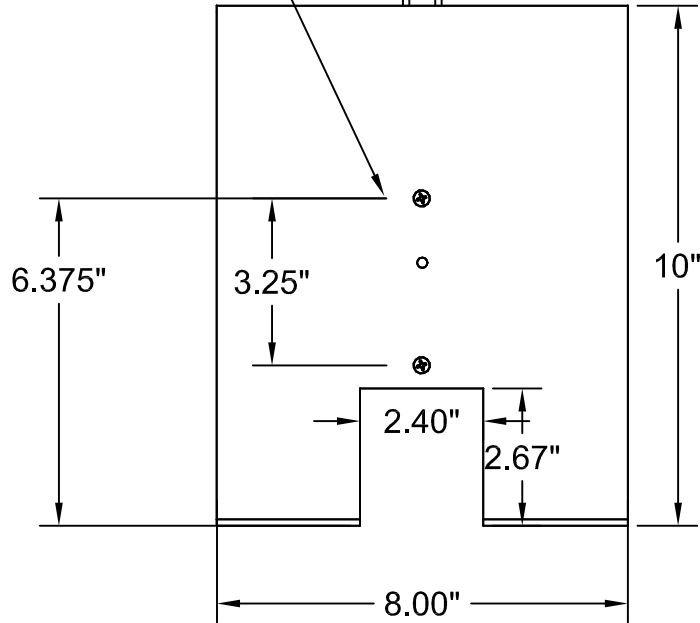
TOP VIEW

** CPU holder to be mounted as far in as possible
*** Can be mounted on left and right side of the workstation
Accessories must be mounted as per drawing. Please consult with engineering if there is any issue.

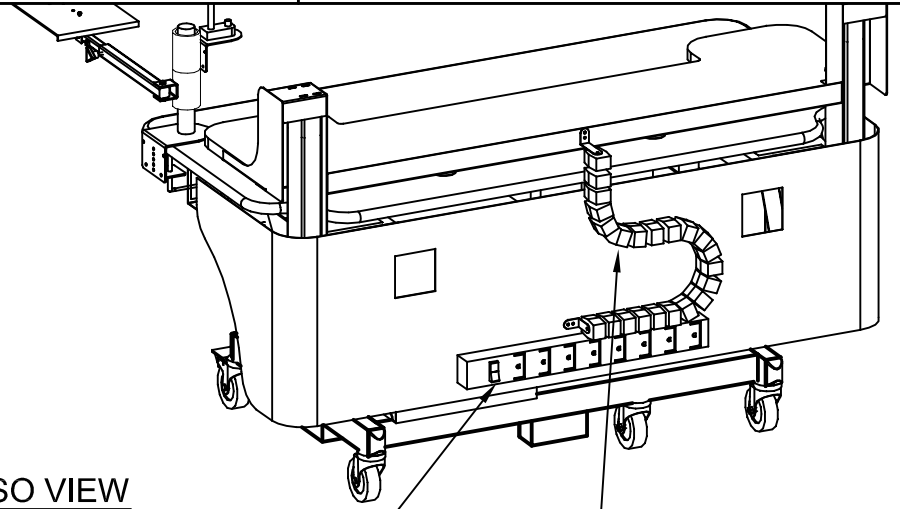
To be included:
(5ft) WMF-400
Velcro to tie cables

NOTES : Concept drawing only. Final design may vary	MATERIAL :	DRAWN BY : YN	DATE : 06/26/13	DESCRIPTION :
	TOLERANCES UNLESS OTHERWISE SPECIFIED	A P P R O V E D		Custom Ergo Tier
	FRACTIONAL ±1/64	ENG :		USED ON :
	2 PLC. DEC. ±.01	MFG :		PATH :
3 PLC. DEC. ±.001	ANGULAR ±.5°	QA :		\\Customers\Mass General\11-05-12\
FINISH		NOT TO SCALE	SHEET : 1 OF 4	PDF NAME : XET6030 B S 0 0 C 0 0 17L
				REV: SIZE . A

(2) 8-32 Pan head screw stud min. 1/8" long for phone



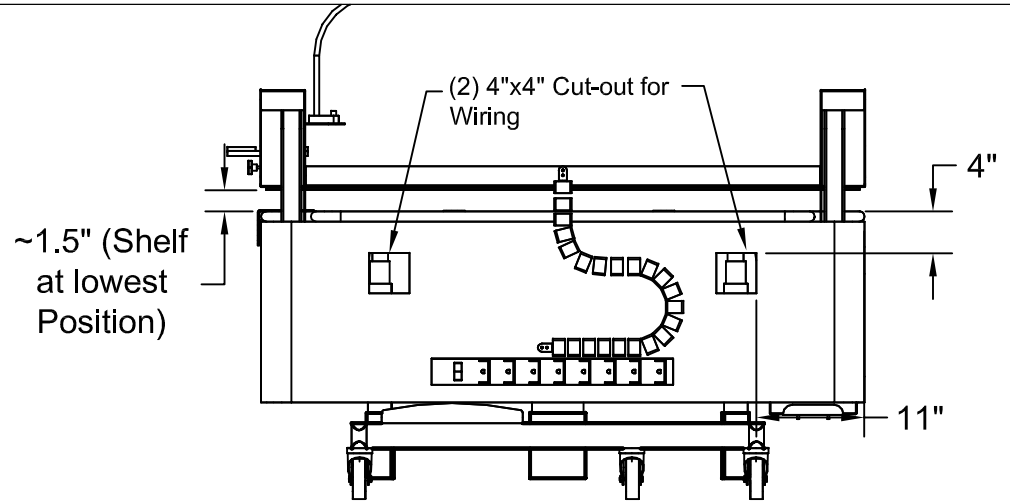
Phone Arm Tray Details



REAR ISO VIEW

SS9003
8-outlet Power Strip

WMF-200
Flexible Wire Manager



REAR VIEW

NOTES :

Concept drawing only.
Final design may vary

MATERIAL :

TOLERANCES UNLESS OTHERWISE SPECIFIED
FRACTIONAL ±1/64
2 PLC. DEC. ±.01
3PLC. DEC. ±.001
ANGULAR ±.5°
FINISH

DRAWN BY : YN

DATE: 06/26/13

DESCRIPTION :

Custom Ergo Tier

A P P R O V E D

ENG :

MFG :

QA :

NOT TO SCALE

SHEET : 2 OF 4

USED ON :

PATH :

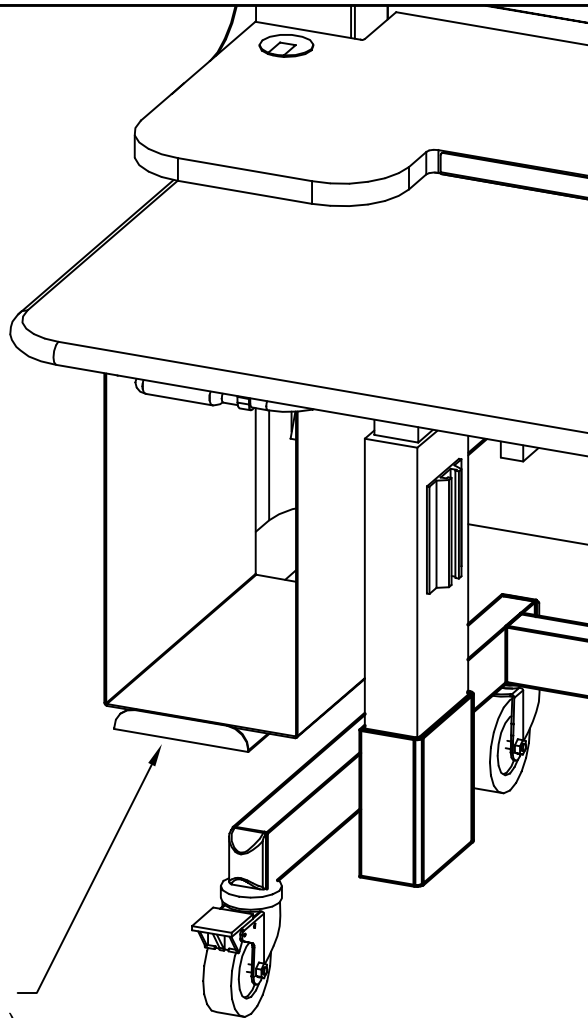
\\Customers\Mass General\11-05-12\

PDF NAME:

XET6030 B S 0 0 C 0 0 17L

REV: SIZE

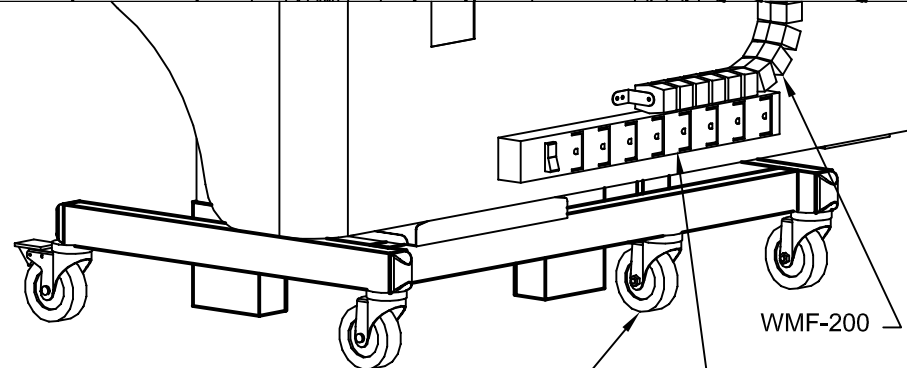
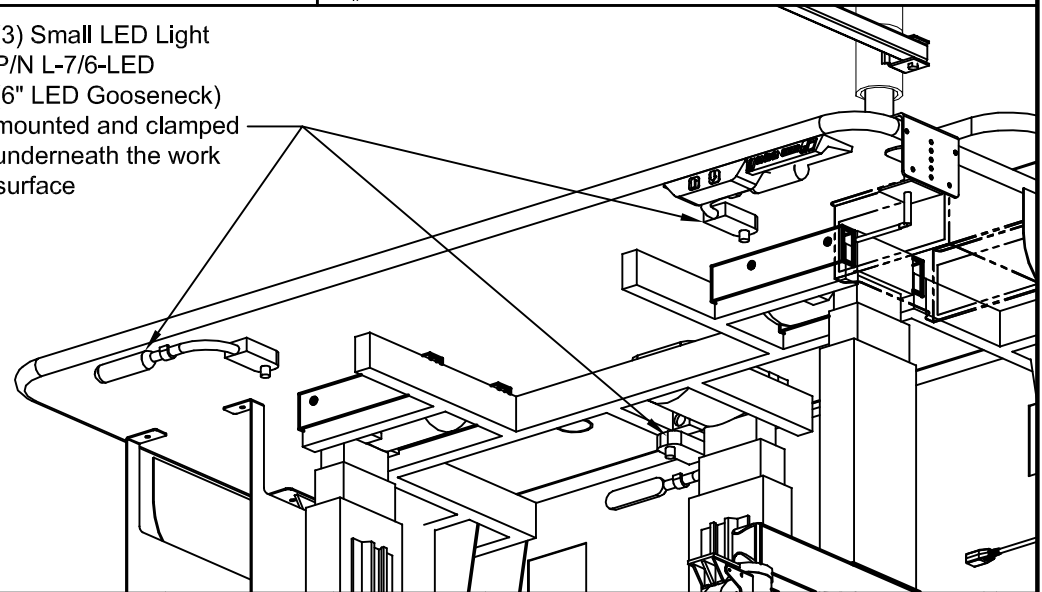
. A



Adjustable Lip
(front and back)

CPU Holder Details

(3) Small LED Light
P/N L-7/6-LED
(6" LED Gooseneck)
mounted and clamped
underneath the work
surface



Rear caster NOT
on extension

SS9003
8-Outlet Power Strip

WMF-200

REAR ISO VIEW

NOTES :

Concept drawing only.
Final design may vary

MATERIAL :

TOLERANCES UNLESS
OTHERWISE SPECIFIED

FRACTIONAL ±1/64
2 PLC. DEC. ±.01
3 PLC. DEC. ±.001
ANGULAR ±5°
FINISH 32

DRAWN BY: YN

DATE: 06/26/13

APPROVED

ENG :

MFG :

QA :

NOT TO SCALE

SHEET: 3 OF 4

DESCRIPTION :

Custom Ergo Tier

USED ON :

PATH :

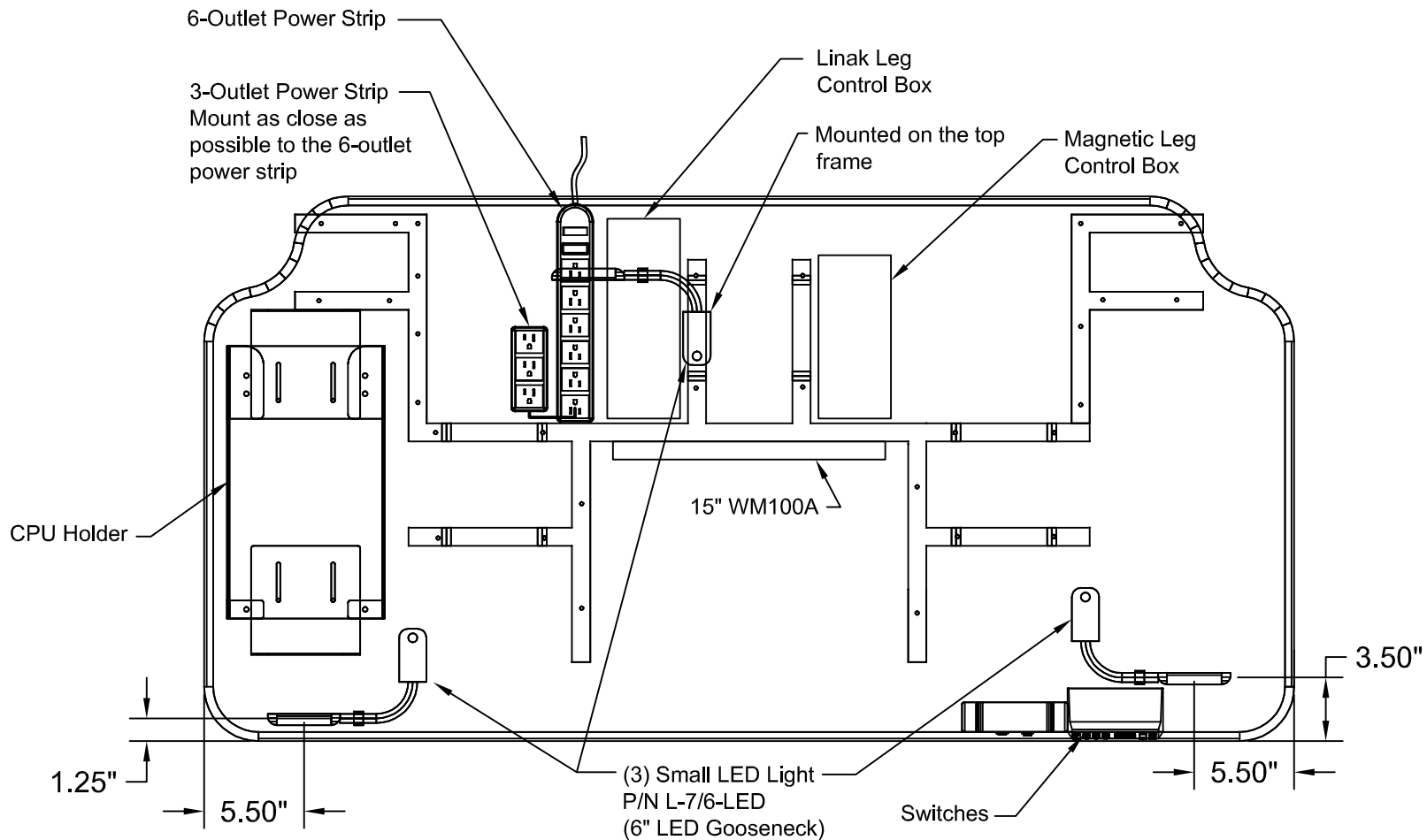
\\Customers\Mass General\11-05-12\

PDF NAME:

XET6030 B S 0 0 C 0 0 17L

REV: SIZE

. A



TOP VIEW
Shown as transparent

NOTES : Concept drawing only. Final design may vary	MATERIAL :	DRAWN BY : YN	DATE : 06/26/13	DESCRIPTION :
	TOLERANCES UNLESS OTHERWISE SPECIFIED FRACTIONAL ±1/64 2 PLC. DEC. ±.01 3 PLC. DEC. ±.001 ANGULAR ±.5° FINISH $\sqrt{32}$	APPROVED		Custom Ergo Tier
		ENG :		USED ON :
		MFG :		PATH :
		QA :		\\Customers\Mass General\11-05-12\
		NOT TO SCALE	SHEET : 4 OF 4	PDF NAME : XET6030 B S 0 0 C 0 0 17L
				REV: SIZE . A