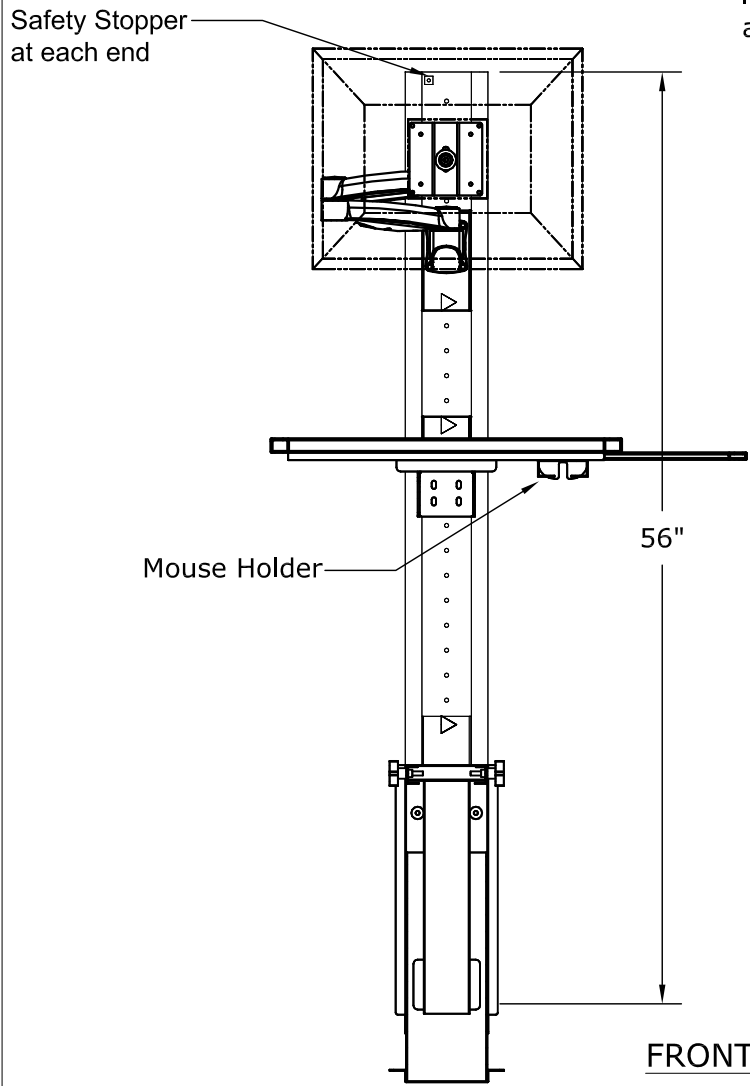


ISO VIEW



FRONT VIEW

All components are individually height adjustable.

NOTES :	MATERIAL : AS NOTED ABOVE	DRAWN BY : PR	DATE: 08/11/2010	DESCRIPTION : Wall Mount
	TOLERANCES UNLESS OTHERWISE SPECIFIED FRACTIONAL ±1/64 2 PLC. DEC. ±.01 3 PLC. DEC. ±.001 ANGULAR ±.5° FINISH √	APPROVED	ENG :	USED ON :
		MFG :	QA :	PATH : Final Assmbl\WALL MOUNTS\2010\Vertical\WM 56
		SCALE : N.T.S.	SHEET : 1 OF 1	PDF NAME: WM56_1FZ_KB82R_1C_00_01
				REV: SIZE A