

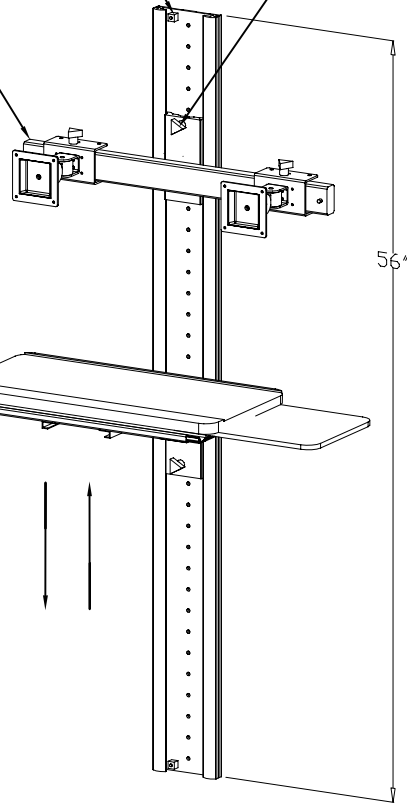
(2) Safety Stopper at both ends.

Spring loaded knob for height Adjustment

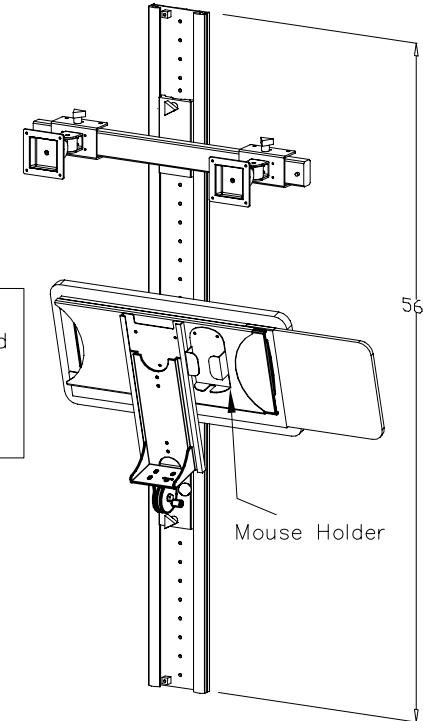
AFC17 for two monitors

Retractable and Foldable Keyboard Holder

Monitor, Keyboard Holder and CPU Holder individually Height Adjustable



Monitor, Keyboard Holder and CPU Holder individually Height Adjustable



Mouse Holder

MATERIAL :

TOLERANCES UNLESS OTHERWISE SPECIFIED
FRACTIONAL ±1/64
2 PLC. DEC. ±.01
3PLC. DEC. ±.001
ANGULAR ±.5°
FINISH √32

DRAWN BY: PK

DATE: 04/17/09

DESCRIPTION : Wall Mount

A P P R O V E D

ENG :

MFG :

QA :

SCALE : N.T.S.

USED ON :

PATH : F.Assmbly\Wall Mount\Internet

PDF NAME:

WM-RK-2M

REV: SIZE A