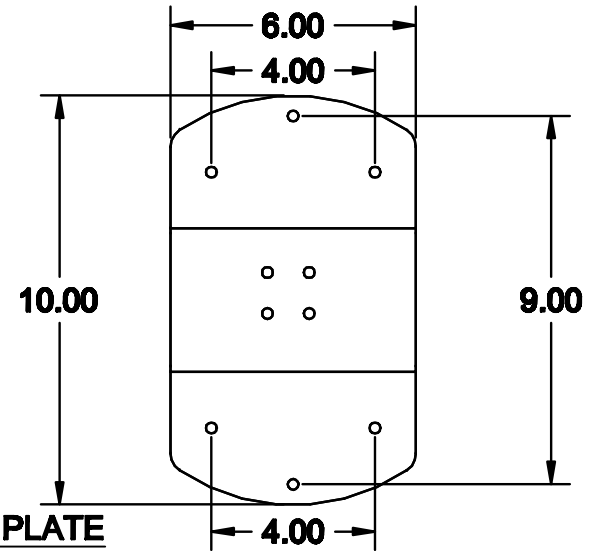
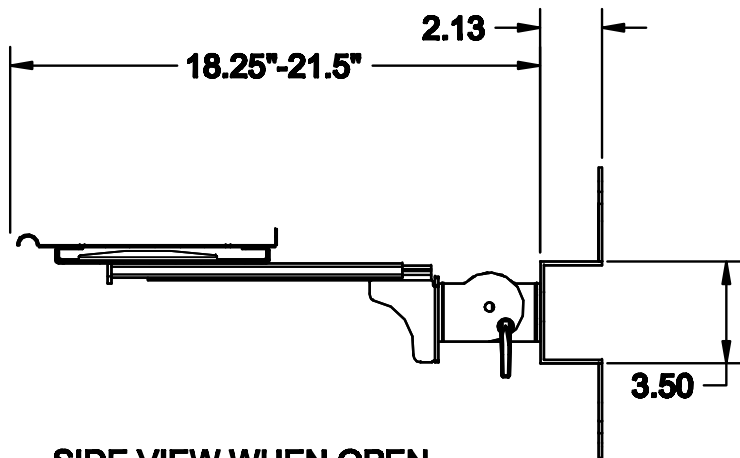


SIDE VIEW WHEN FOLDED

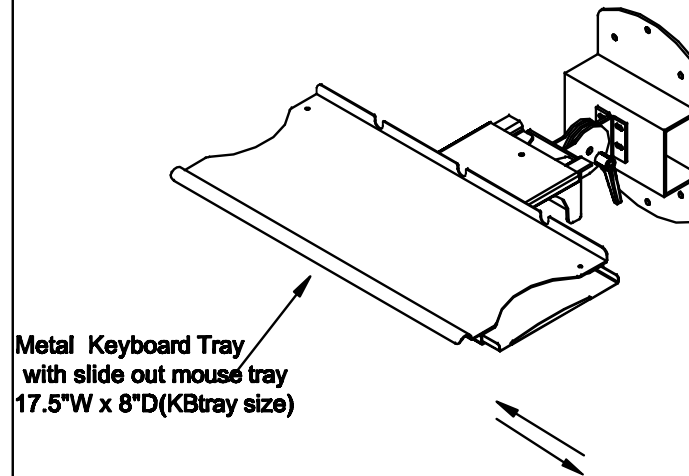


MOUNTING PLATE



SIDE VIEW WHEN OPEN

ISOMETRIC VIEW



NOTES :
Mounting Hardware not provided
Always mount onto structurally secure support approved by site Engineer.

MATERIAL :
AS NOTED ABOVE

TOLERANCES UNLESS OTHERWISE SPECIFIED

FRACTIONAL ±1/64
2 PLC. DEC. ±.01
3PLC. DEC. ±.001
ANGULAR ±.5°
FINISH √

DRAWN BY : VGM

DATE: 11/05/10

DESCRIPTION :

A P P R O V E D

ENG :

MFG :

QA :

SCALE : N.T.S.

SHEET : 1 OF 1

USED ON :

PATH :
ACCESS.KEYBOARD ARM AND TRAYSWM KBV

PDF NAME: **WM_TR_MF_101**

REV: SIZE
A