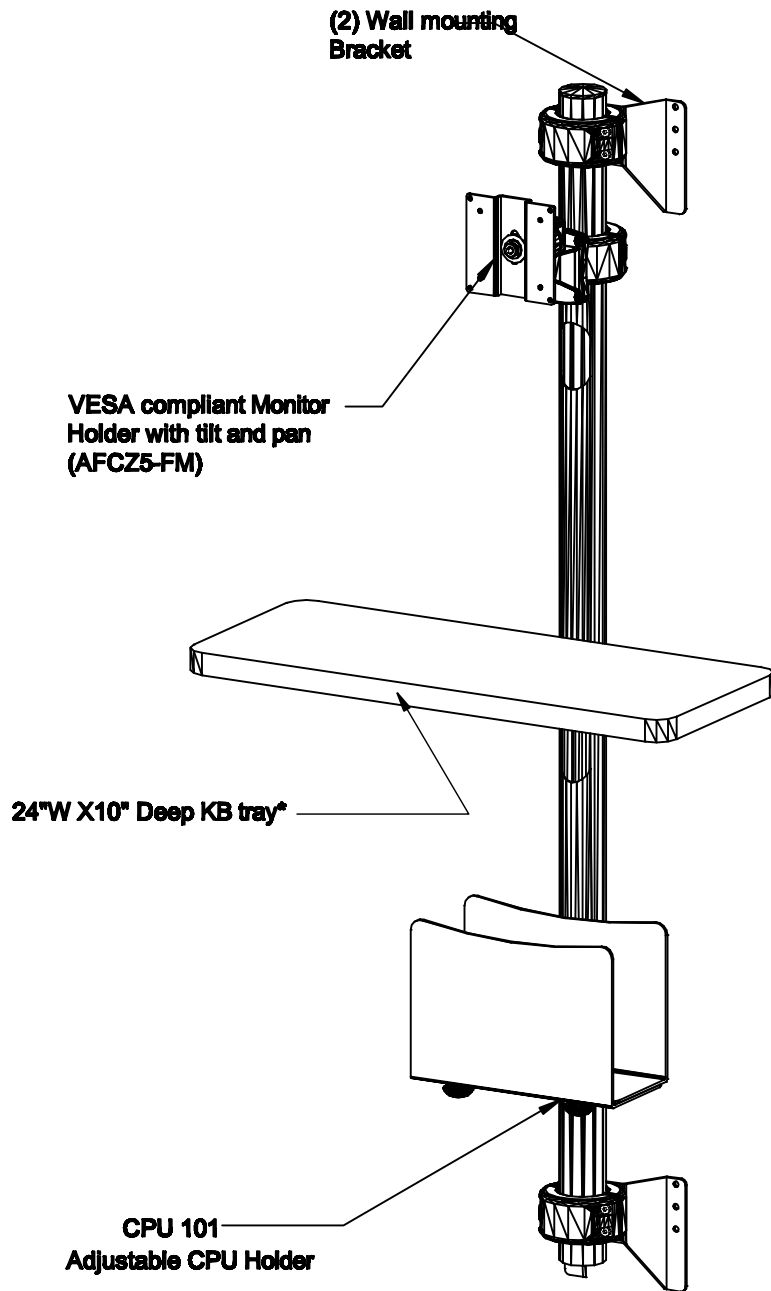
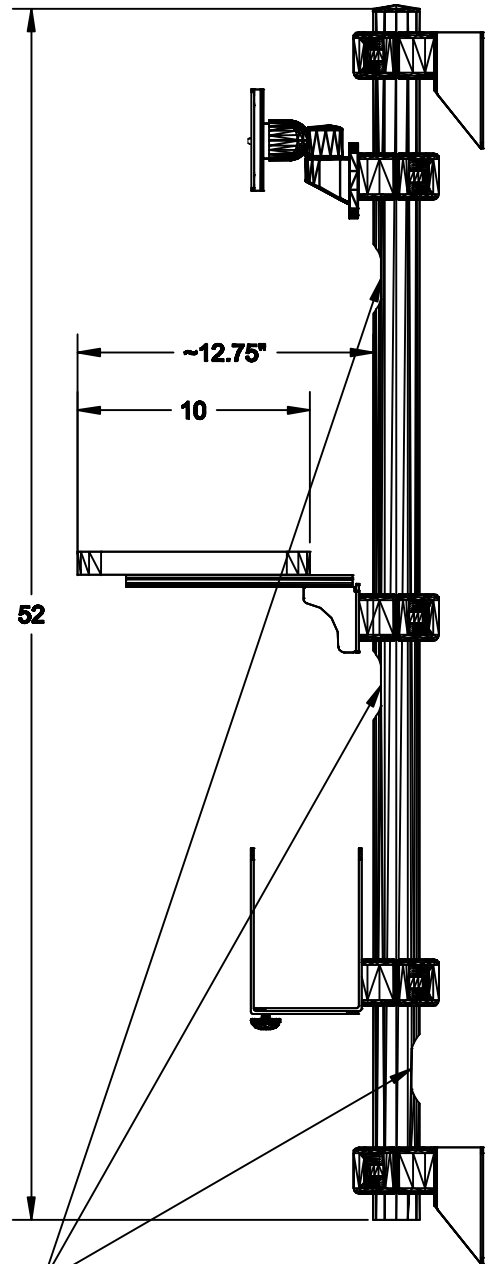


Every single item is height adjustable and can be rotated

KB tray non retractable and non foldable



ISOMETRIC VIEW



SIDE VIEW

Ø2\"/>

MATERIAL :	DRAWN BY: VGM	DATE: 03/01/11	DESCRIPTION :
	A P P R O V E D		Wall Mount Pole
TOLERANCES UNLESS OTHERWISE SPECIFIED FRACTIONAL ±1/64 2 PLC. DEC. ±.01 3PLC. DEC. ±.001 ANGULAR FINISH	ENG:		USED ON :
	MFG:		PATH :
	QA:		Fin.Assy WALL MOUNTS WMPL
	SCALE : N.T.S.	SHEET : 1 OF 1	NUMBER :
		WMPL 52_F_KB_C_001	. A