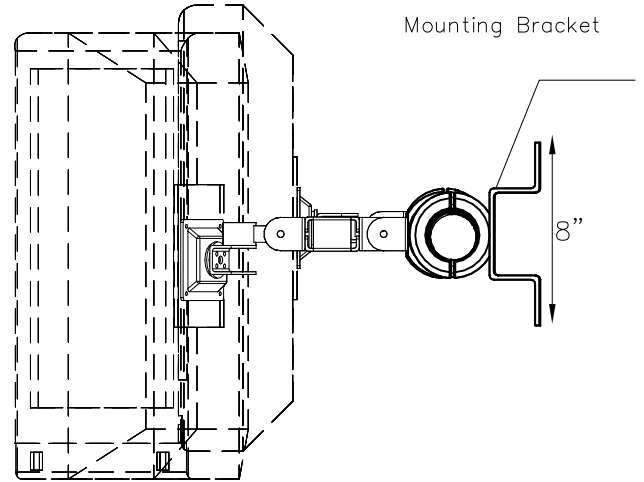
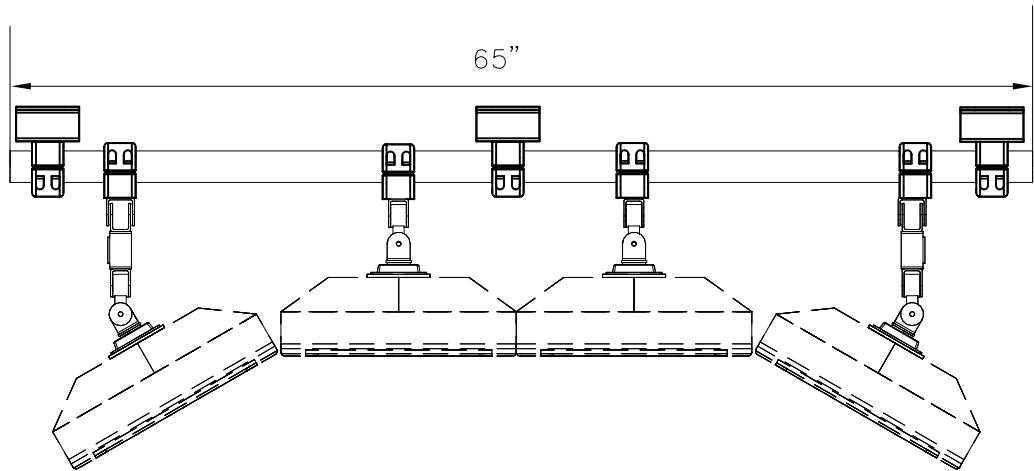


ISO View



Side Elevation



PLAN View

MATERIAL :	DRAWN BY : MK	DATE: 24.09.09	DESCRIPTION :
	A P P R O V E D		WMPLE_4MH
TOLERANCES UNLESS OTHERWISE SPECIFIED FRACTIONAL ±1/64 2 PL.. DEC. ±.01 3PLC. DEC. ±.001 ANGULAR ±.5° FINISH √32	EN :		USED ON :
	MFG. :		PATH : Fassy\CAD\Wallmount\2009\Horizontal
	QA :		FILE NAME: 4Monitors Mount
	SCALE: N.T.S.	SHEET : 1 OF 1	REV: SIZE A