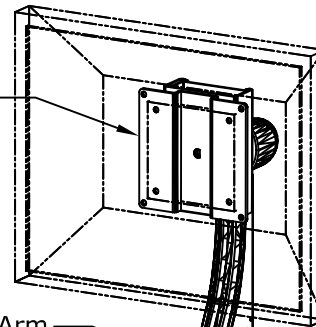
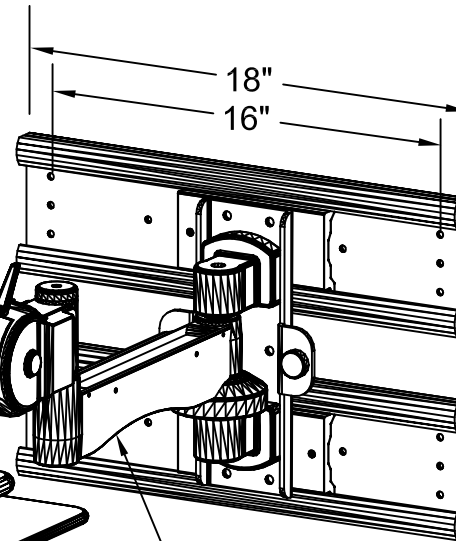


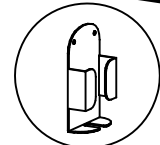
Monitor Holder Plate
VESA 75/100
Compliant



Pneumatically height adjustable arm with lock for varying loads



Foldable Keyboard Tray with handle



Sliding Mouse Tray

Extension 12"

NOTES :

Monitor Weight ≤ 20lbs

MATERIAL :

AS NOTED ABOVE

TOLERANCES UNLESS OTHERWISE SPECIFIED
FRACTIONAL ±1/64
2 PLC. DEC. ±.01
3PLC. DEC. ±.001
ANGULAR ±.5°
FINISH $\sqrt{32}$

DRAWN BY: PR

DATE: 03/09/12

DESCRIPTION :

Wall Mount

A P P R O V E D

USED ON :

PATH : L:\Final_Assbly\Wall Mounts\AFC7808\2012

ENG :

MFG :

QA :

PDF NAME:

WMH18_AFC7808_12-01

REV: SIZE
A

SCALE : NOT TO SCALE

SHEET : 1 OF 1