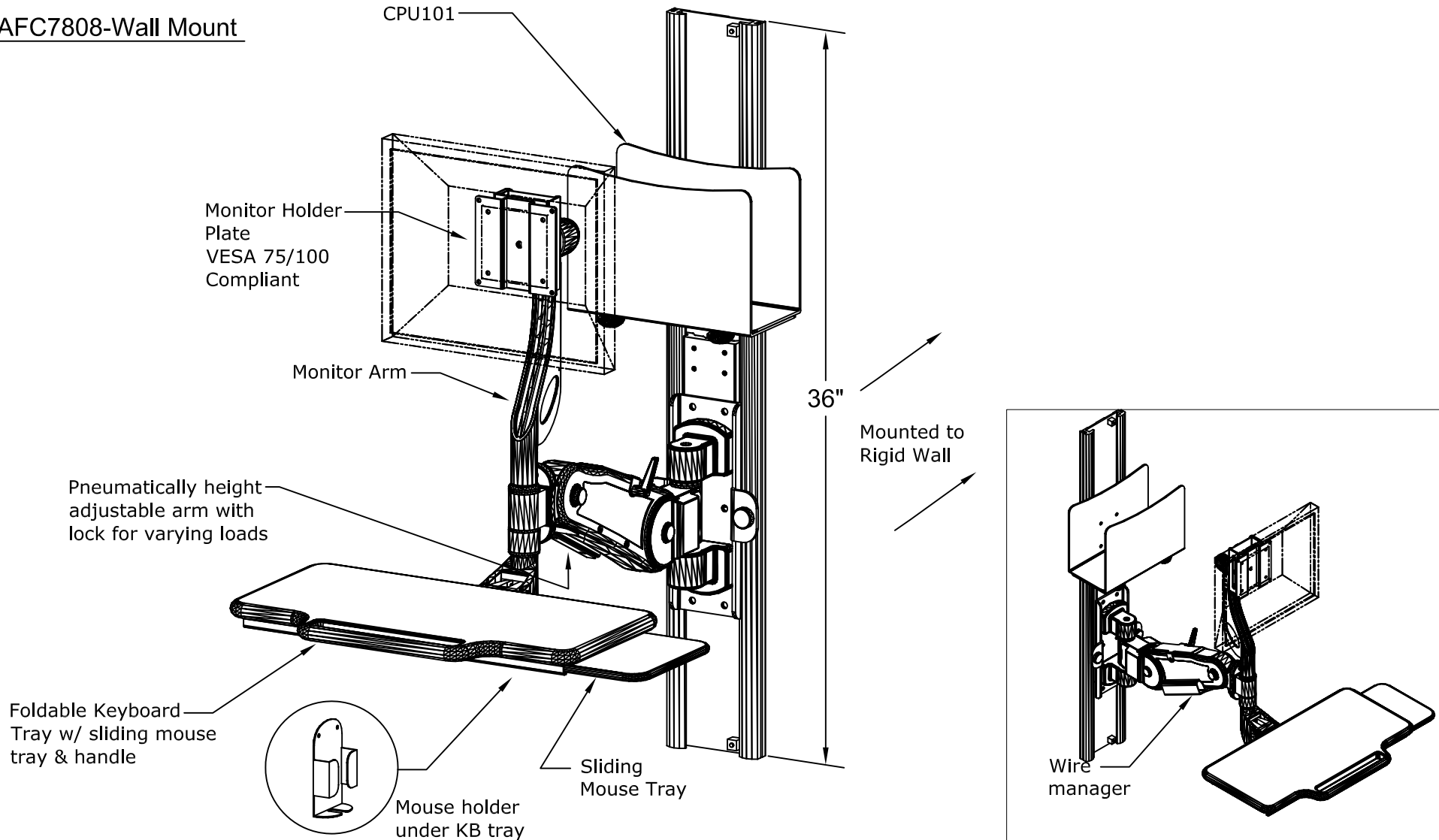


AFC7808-Wall Mount



NOTES :	MATERIAL :	DRAWN BY : PR/BD	DATE: 04/03/12	DESCRIPTION :
	TOLERANCES UNLESS OTHERWISE SPECIFIED FRACTIONAL ±1/64 2 PLC. DEC. ±.01 3 PLC. DEC. ±.001 ANGULAR ±5° FINISH	APPROVED		AFC 7808
		ENG :		USED ON :
		MFG :		PATH :
		QA :		PDF NAME :
		NOT TO SCALE	SHEET: 1 OF 1	WM36_C1_AFC7808_01
				REV: SIZE . A