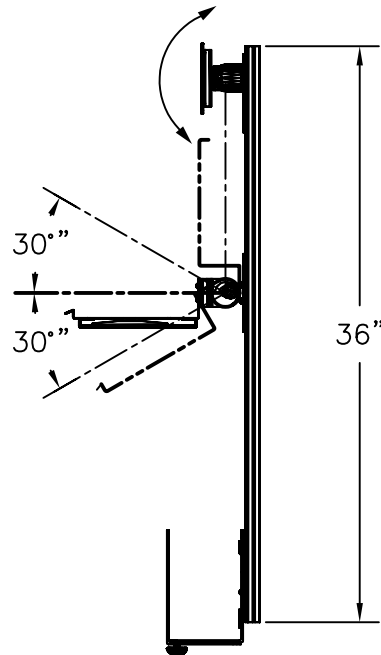
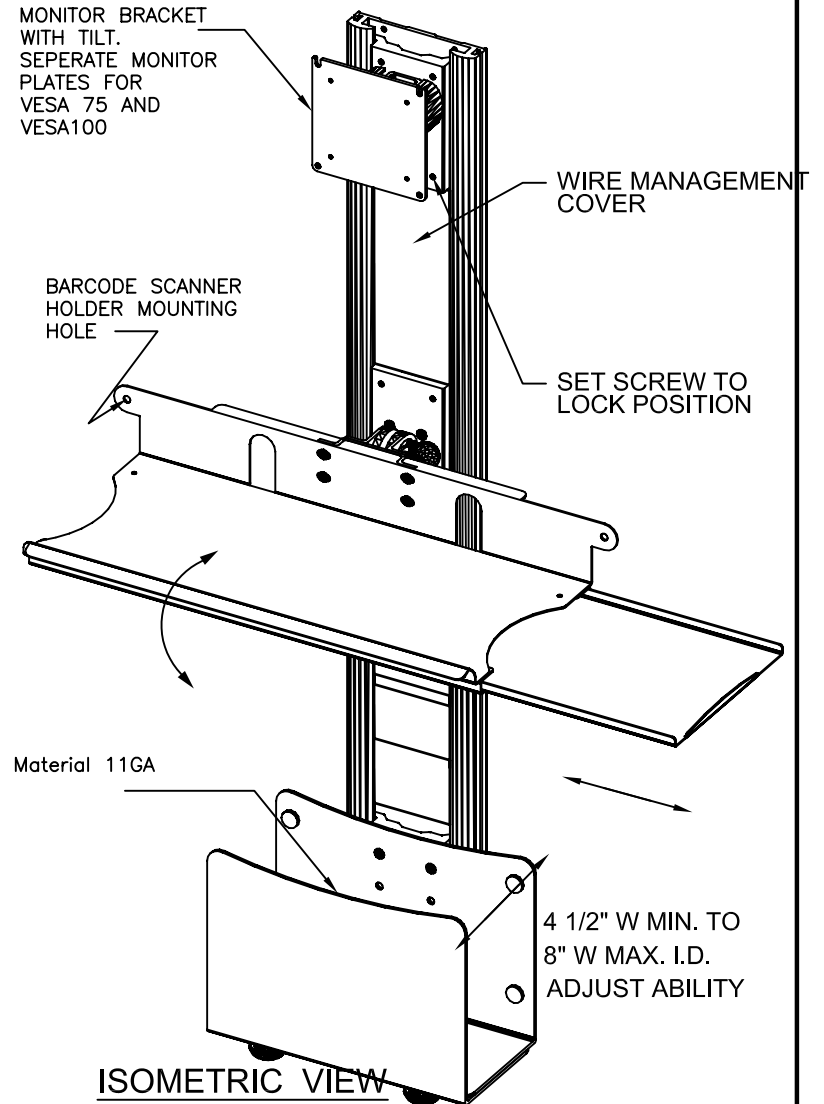


**FRONT VIEW**  
SCALE: 1"=1'-0"



**SIDE VIEW**  
SCALE: 1"=1'-0"



DRAWN BY: VGM/ VP		DATE: 06-15-09	DESCRIPTION :	
A P P R O V E D			.	
ENG :			USED ON :	
MFG :			.	
QA :			PATH :	
SCALE : AS SHOWN		SHEET: 1 OF 1	WM36-M1-FK-C1	
			NUMBER	
			WM36-M1-FK-C1	
			REV:	SIZE
			.	A