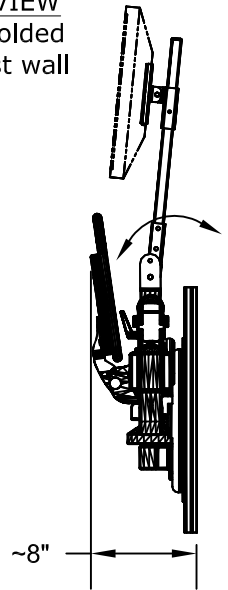
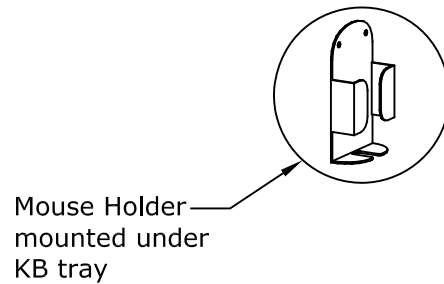


SIDE VIEW
Arm Folded against wall

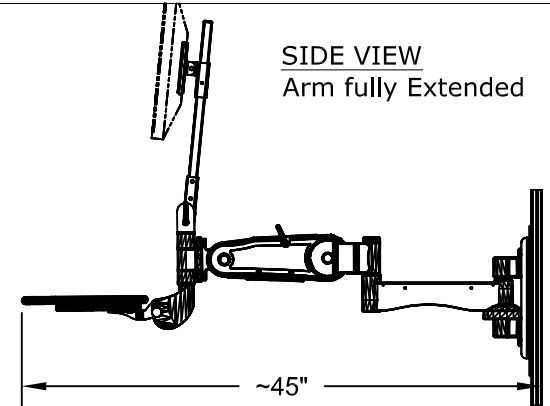


SPECIAL FEATURES:

- VESA Compliant Monitor Holder with Tilt& Pan
- Foldable & Lockable KB tray w/ Mouse tray
- Pneumatically height adjustable with 12" stroke
- Wire managers included



SIDE VIEW
Arm fully Extended



NOTES :
Monitor Weight ≤ 20lbs

MATERIAL :
AS NOTED ABOVE

TOLERANCES UNLESS OTHERWISE SPECIFIED

FRACTIONAL ±1/64
2 PLC. DEC. ±.01
3PLC. DEC. ±.001
ANGULAR ±.5°
FINISH 32/

DRAWN BY: PR/YN
DATE:05/17/12

A P P R O V E D

ENG :
MFG :
QA :

SCALE : N.T.S. SHEET : 1 OF 1

DESCRIPTION :
Wall Mount AFC 7810

USED ON :

PATH : L:\Final_Assbly\Wall Mounts\2010\AFC7810

PDF NAME: WM18_AFC7810_12_00-01

REV: SIZE A