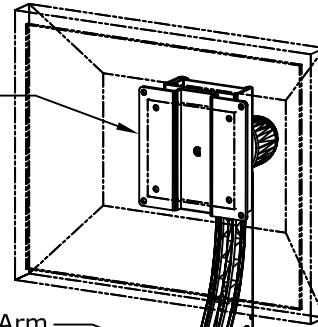
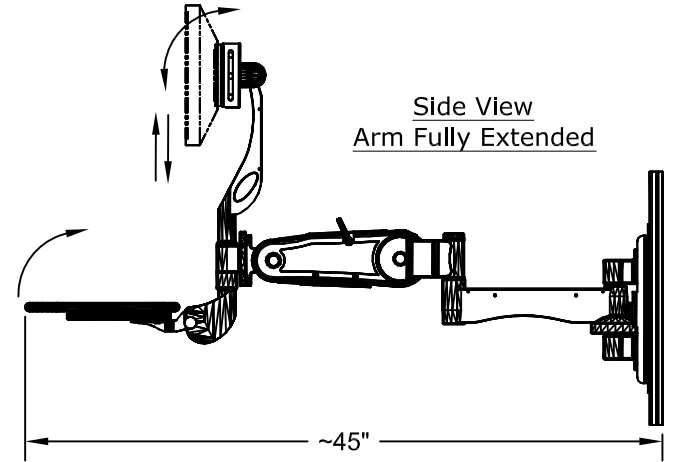


Wire Managers

Monitor Holder Plate  
VESA 75/100  
Compliant



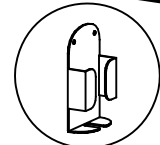
Monitor Arm



Side View  
Arm Fully Extended  
~45"

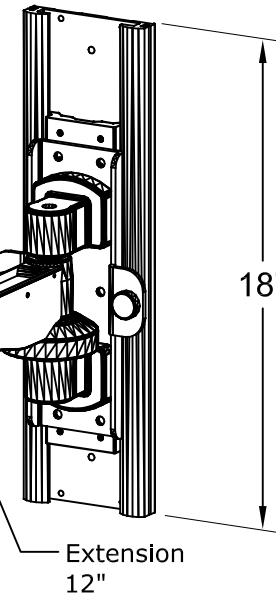
Pneumatically height adjustable arm with lock for varying loads

Foldable Keyboard Tray with handle



Mouse holder under KB tray

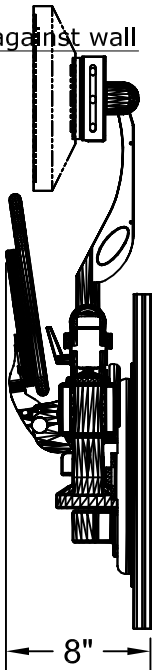
Sliding Mouse Tray



18"

Extension 12"

SIDE VIEW  
Arm Folded against wall



8"

NOTES :

Monitor Weight ≤ 20lbs

MATERIAL :  
AS NOTED ABOVE

TOLERANCES UNLESS OTHERWISE SPECIFIED  
FRACTIONAL ±1/64  
2 PLC. DEC. ±.01  
3PLC. DEC. ±.001  
ANGULAR ±.5°  
FINISH  $\sqrt{32}$

DRAWN BY: PR

A P P R O V E D

DATE: 05/09/12

ENG :

MFG :

QA :

SCALE : NOT TO SCALE

SHEET : 1 OF 1

DESCRIPTION :

Wall Mount

USED ON :

PATH : L:\Final\_Assbly\Wall Mounts\AFC7808\2012

PDF NAME:

WM18\_AFC7808\_12-01

REV: SIZE  
A