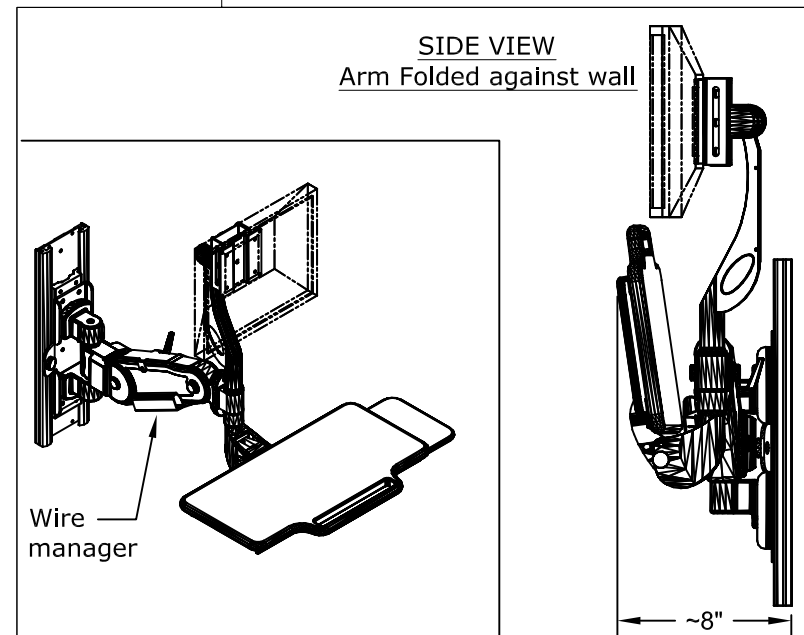
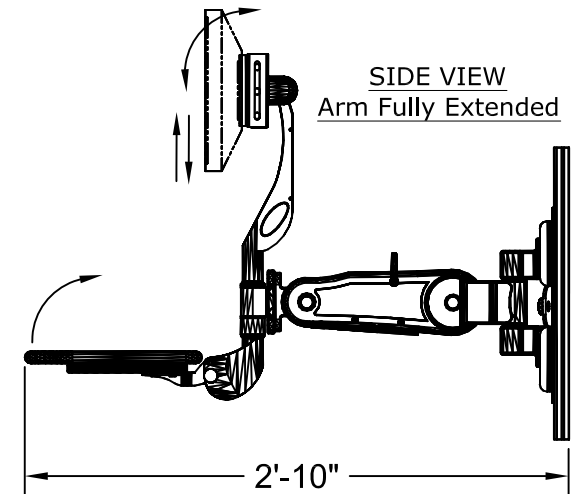
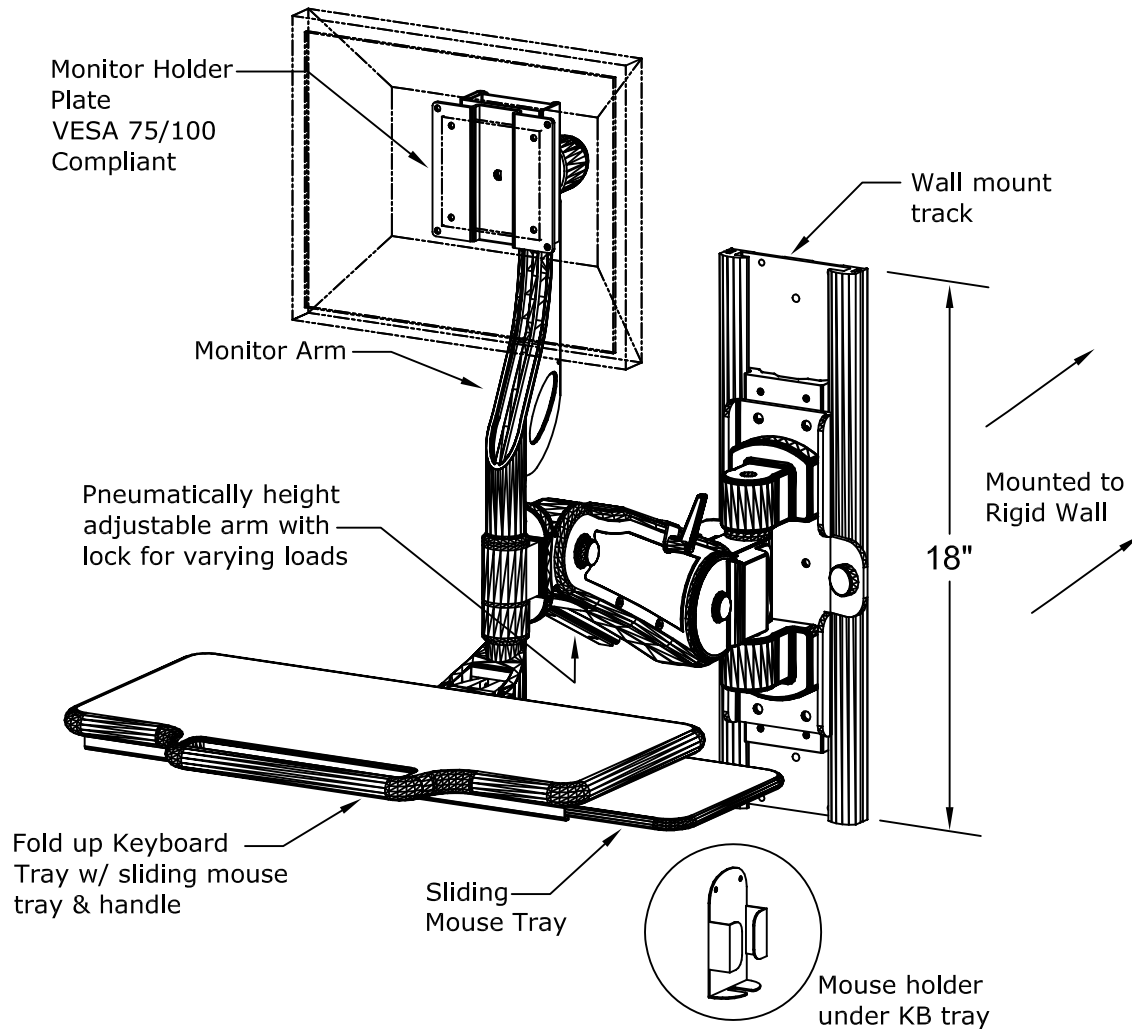


AFC7808-Wall Mount



NOTES:	MATERIAL:	DRAWN BY: PR	DATE: 05/09/12	DESCRIPTION:
	TOLERANCES UNLESS OTHERWISE SPECIFIED	APPROVED		AFC 7808
	FRACTIONAL ±1/64	ENG:		USED ON:
	2 PLC. DEC. ±.01	MFG:		
	3 PLC. DEC. ±.001	QA:		PATH:
	ANGULAR ±5°			\\Fin.Assy\WallMount\AFC7808\2012
	FINISH			PDF NAME:
				WM18_AFC7808_00-01
			SHEET: 1 OF 1	REV: SIZE
				A