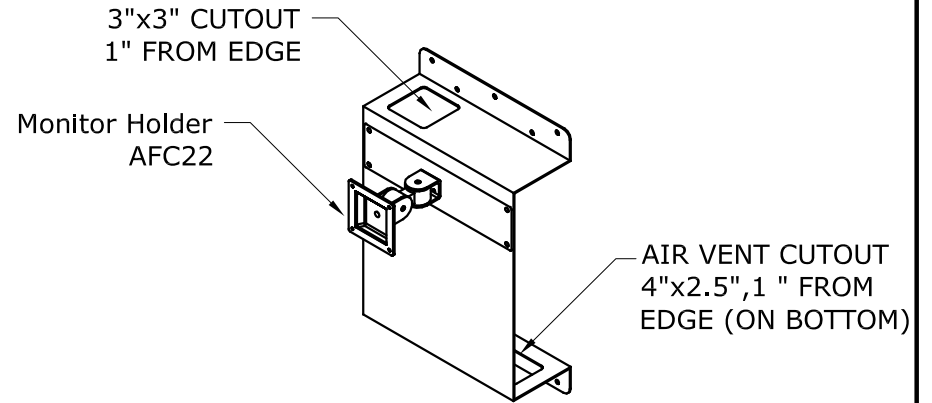
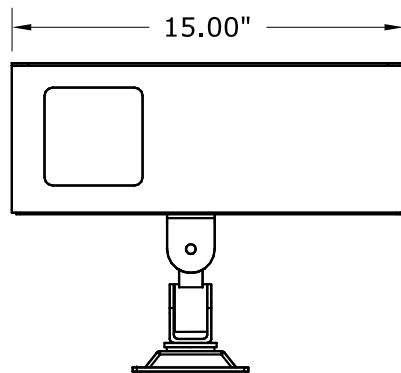


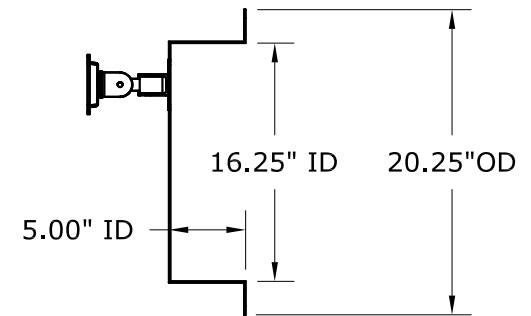
FRONT VIEW



ISO VIEW



TOP VIEW



SIDE VIEW

NOTES :

Size of CPU:  
TBD

MATERIAL :  
AS NOTED ABOVE

TOLERANCES UNLESS OTHERWISE SPECIFIED

FRACTIONAL ±1/64  
2 PLC. DEC. ±.01  
3PLC. DEC. ±.001  
ANGULAR ±.5°  
FINISH 32/√

DRAWN BY : PR

DATE: 02/01/2010

DESCRIPTION :

CUSTOM CPU HOLDER

A P P R O V E D

ENG :

MFG :

QA :

SCALE : N.T.S.

SHEET : 1 OF 1

USED ON :

PATH :

L\Final\Acc\CPU Holders\WMCPU

PDF NAME:

WM-F22-C16-01

REV: SIZE A