

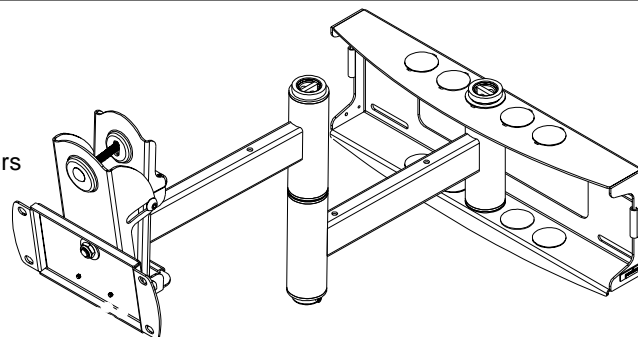
TECHNICAL DATA SHEET - Articulating Wall Arm for 32" - 50" Plasma and LCD Flat Panel Screens

MODEL: WM-AA-3250-UP

Offer the best view in the room with ability to swing, tilt or articulate the most popular sizes of plasma and LCD screens. Self-lubricating bushings enable the arms to smoothly extend, while adjustable tilt and pivot position the screen to the optimal viewing angle. The WM-AA-3250-UP offers versatility for the most popular sizes of screen in a wide range of installations in lobbies, hotel rooms, boardrooms, public displays or home theaters.

Features:

- For 32" to 50" plasma and LCD screens
- New look and functionality
- Roll feature allows for easy screen leveling
- Folds flat against the wall
- Cord management keeps cords organized and out of sight
- Comes in black
- +10°/-5° tilt
- Up to 180° pivot
- +/-7° roll to level screen horizontally at any position
- Extends out to 29.3", retracts to 4.5" (plus thickness of required adapter plate)
- Includes mesh cord sheath and cable ties to neatly manage cords
- Mounts to two wood studs or concrete
- Universal models adapt to screens with up to 28.7" wide x 17" high mounting inserts according to instructions provided by the manufacturer.



Dimensions:

Weight:

36.8 lb (17 kg)

Shipping weight:

42.9 lb (19.5 kg)

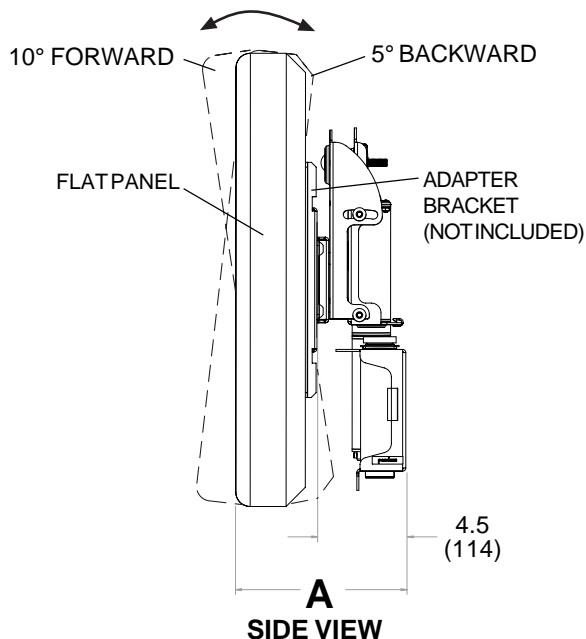
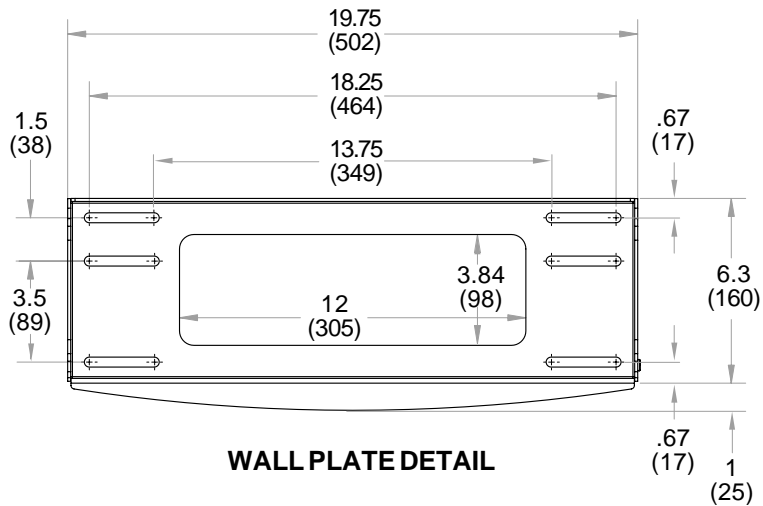
Maximum Load Capacity:

150 lb (68 kg)

TECHNICAL DATA SHEET

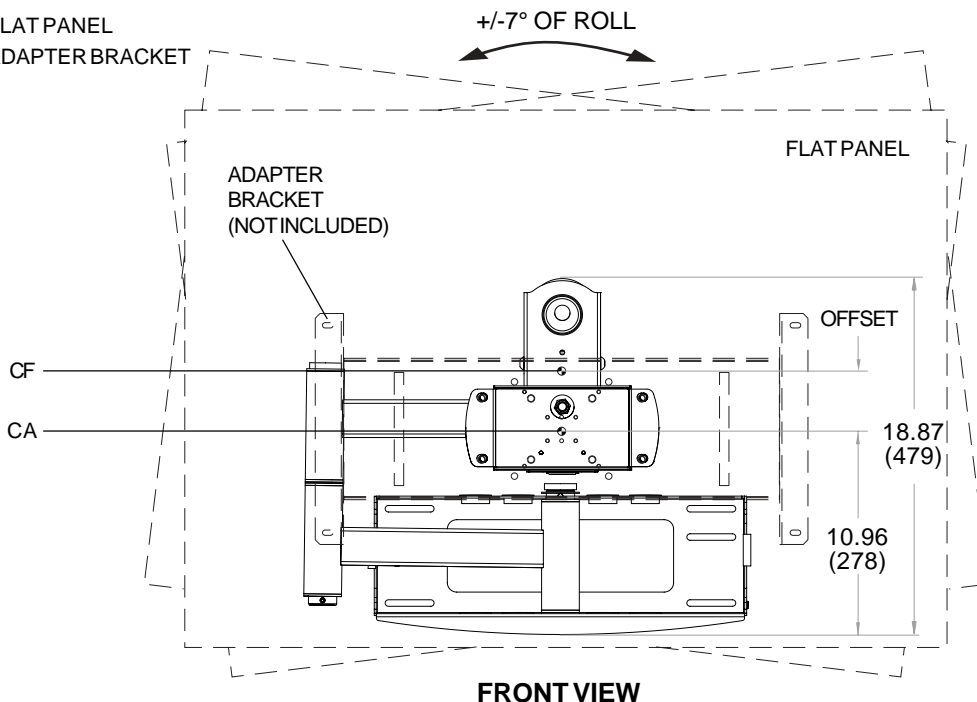
MODEL: WM-AA-3250-UP

Note: All dimensions are shown as inch (mm).



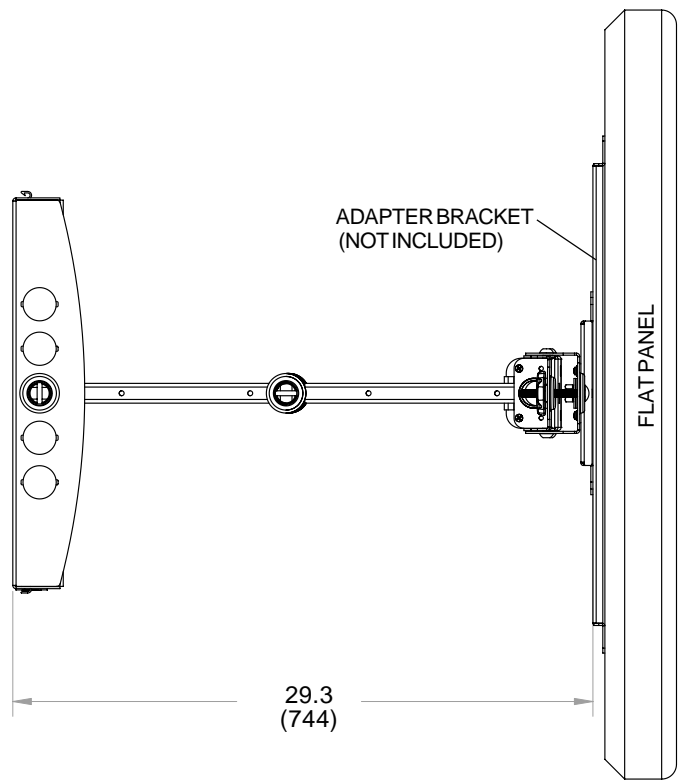
A = DEPTH OF FLAT PANEL + DEPTH OF ADAPTER BRACKET* + 4.5"

CF = CENTER OF FLAT PANEL
CA = CENTER OF ADAPTER BRACKET

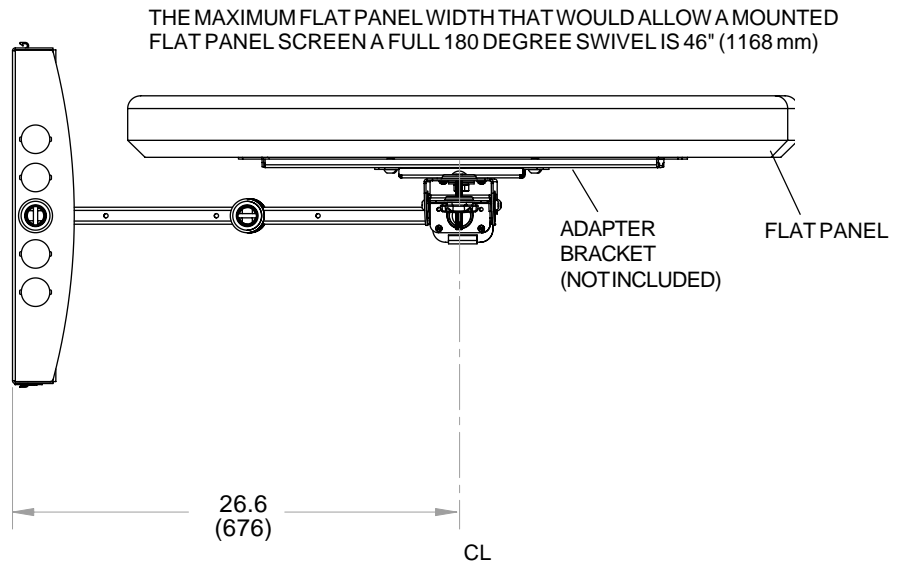


TECHNICAL DATA SHEET

MODEL: WM-AA-3250-UP



TOP VIEW (A)



TOP VIEW (B)