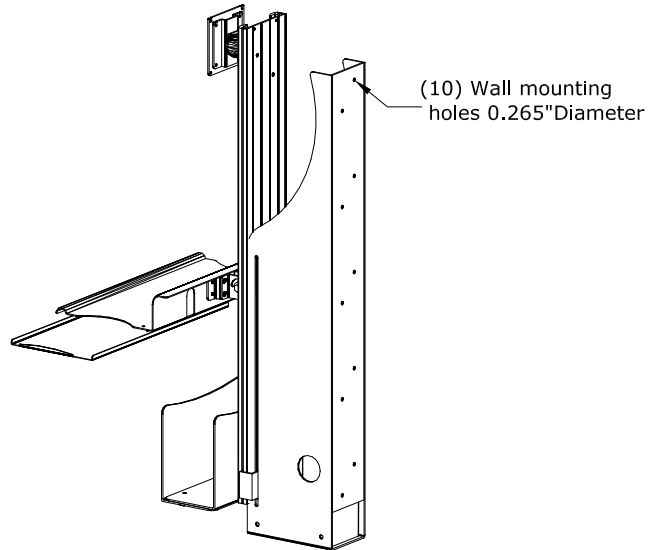
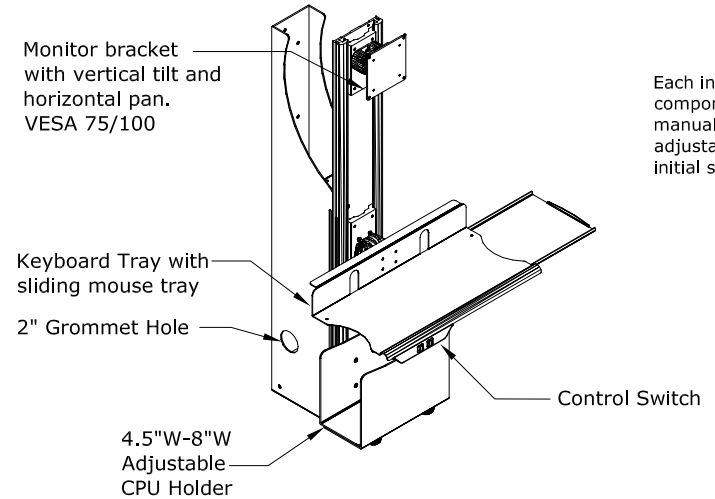


REAR ISO VIEW

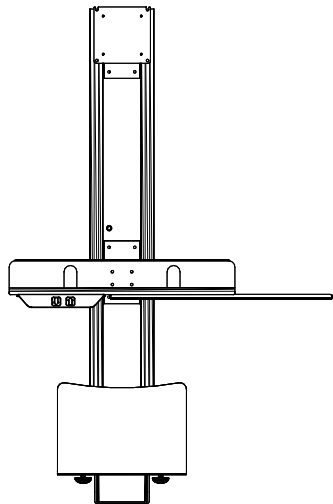


FRONT ISO VIEW

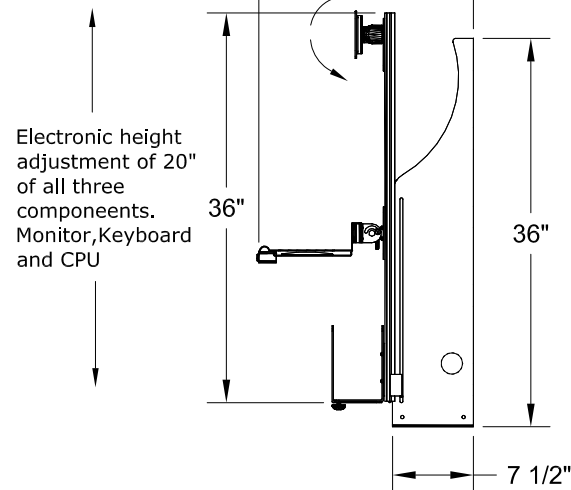


Each individual components are manually height adjustable for initial setup.

FRONT VIEW



SIDE VIEW



NOTES :

**CONCEPT DRAWING ONLY
FINAL DESIGN MAY VARY**

MATERIAL :

TOLERANCES UNLESS OTHERWISE SPECIFIED
FRACTIONAL ±1/64
2 PLC. DEC. ±.01
3PLC. DEC. ±.001
ANGULAR ±.5°
FINISH √

DRAWN BY : VGM/PR

DATE: 01-19-2010

DESCRIPTION :

Electronic Wall Mount

A P P R O V E D

ENG :

MFG :

QA :

SCALE : N.T.S.

SHEET : 1 OF 1

USED ON :

PATH :

Final Assembly/Wall Mounts/2009/Verticle/Custom

PDF NAME:

WM-202-01

REV: SIZE

A