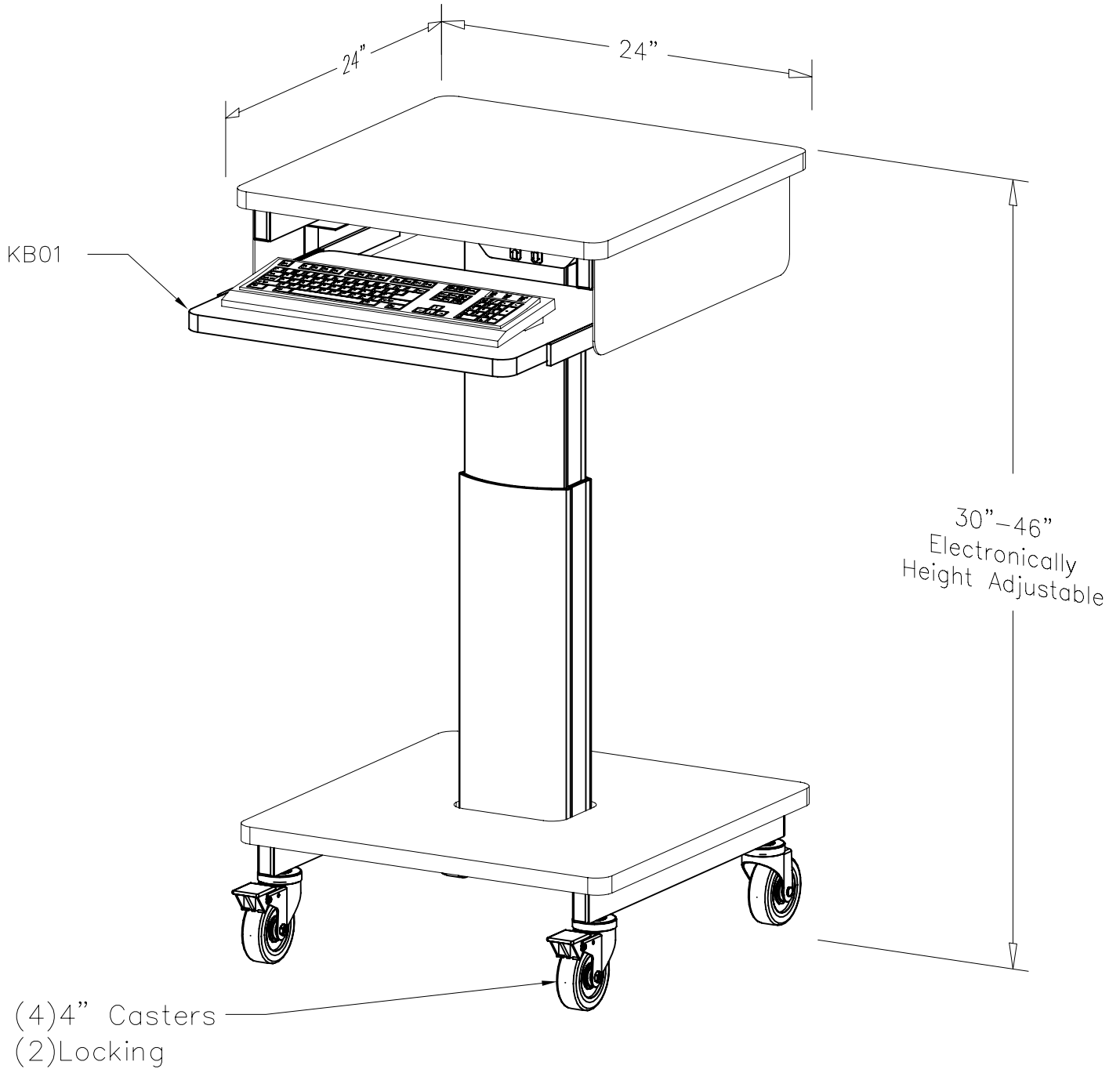


# Telescopic Cart 24" x 24"



MATERIAL :	DRAWN BY : CJD	DATE: 4/30/07	DESCRIPTION :
	A P P R O V E D		TC 2424
TOLERANCES UNLESS OTHERWISE SPECIFIED FRACTIONAL ±1/64 2 PL.. DEC. ±.01 3PLC. DEC. ±.001 ANGULAR ±.5' FINISH √ <sup>32</sup>	EN :		USED ON :
	MFG. :		PATH :F.Assemblies\Maxflex\TC\TC2400st
	QA :		FILE NAME:
	SCALE: N.T.S.	SHEET : 1 OF 1	TC2424_S_KB01_00_00_0_B_000_01