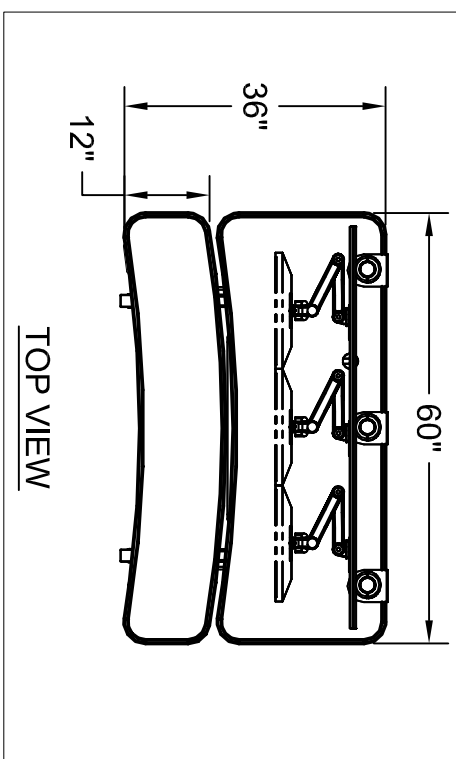

ISOMETRIC VIEW


NOTES :

MATERIAL :

DRAWN BY : YN

DATE: 11/12/12

DESCRIPTION :

APPROVED

Single Tier Cart

 TOLERANCES UNLESS
 OTHERWISE SPECIFIED

ENG :

USED ON :

FRACTIONAL ±.1/64

MFG :

PATH :

2 PLG. DEC. ±.001

QA :

\Fin Assy\Maxflex\ST\ST6000\6036\

ANGULAR ±.001

SCALE: N.T.S.

PDF NAME: ST6036 B SE 1701 3FZ 0 0 0 B 01


 ±.5°

SHEET : 1 OF 1

 REV: SIZE
 A