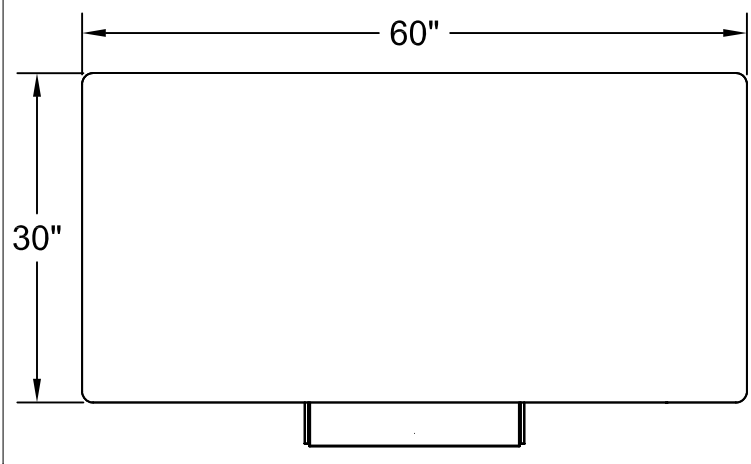
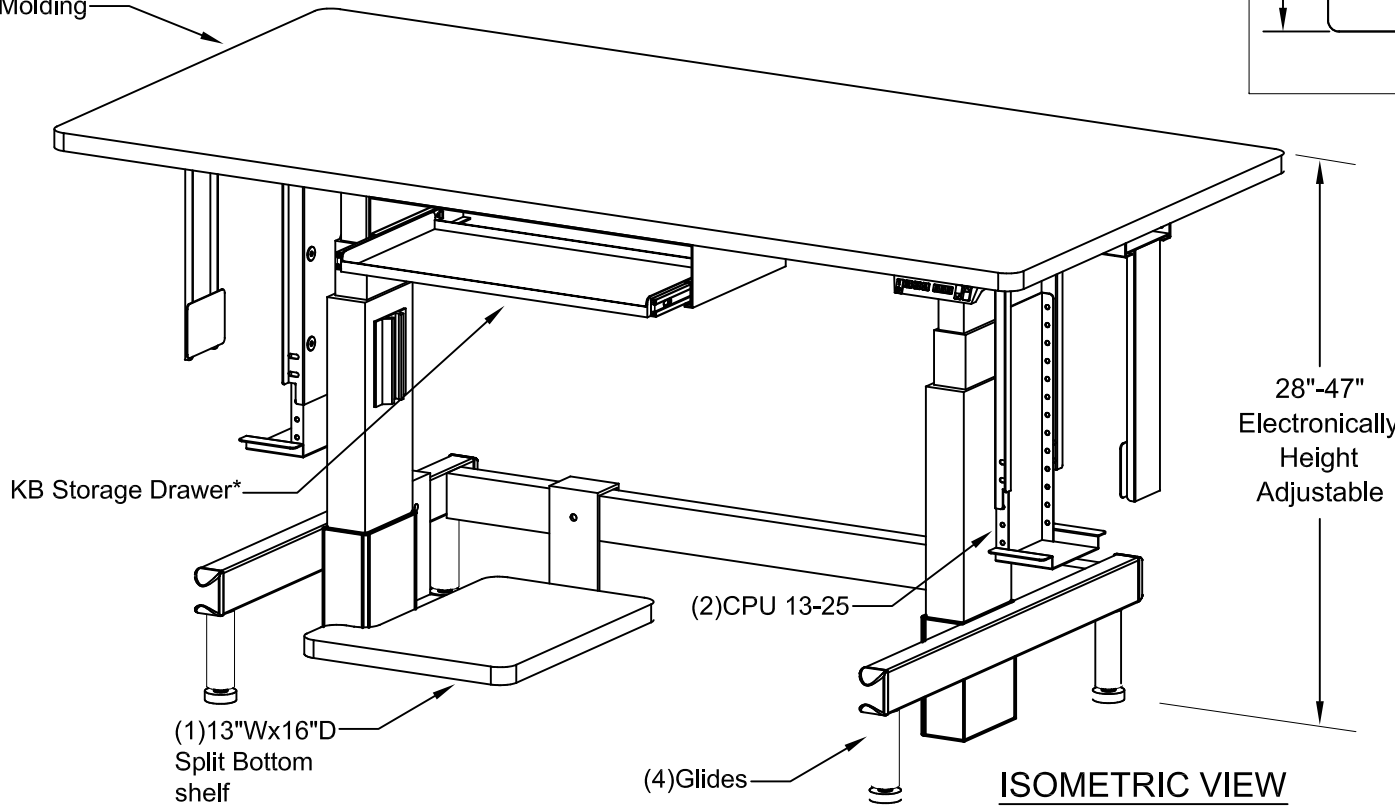
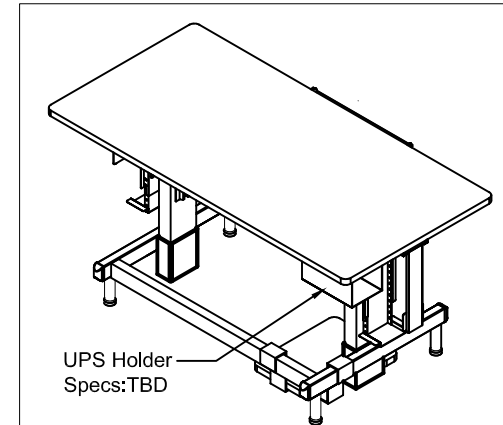


30" Deep Standard Work surface with T-Molding



TOP VIEW

28"-47"
Electronically
Height
Adjustable



NOTES :

* Reference: AFC Catalog
Issue 12 Vol.1 Pg.26, pic.(H)

MATERIAL :

TOLERANCES UNLESS OTHERWISE SPECIFIED
FRACTIONAL ±1/64
2 PLC. DEC. ±.01
3PLC. DEC. ±.001
ANGULAR ±.5°
FINISH √

DRAWN BY : PR

DATE:10/28/2010

DESCRIPTION:

ST6030

A P P R O V E D

USED ON :

ENG :

MFG :

QA :

PATH :
MaxFlex\Single Tier\ST6030\2010

SCALE : N.T.S.

SHEET : 1 OF 1

PDF NAME:
ST6030_T_S_KB_00_2C_SB_C00_01

SIZE
A