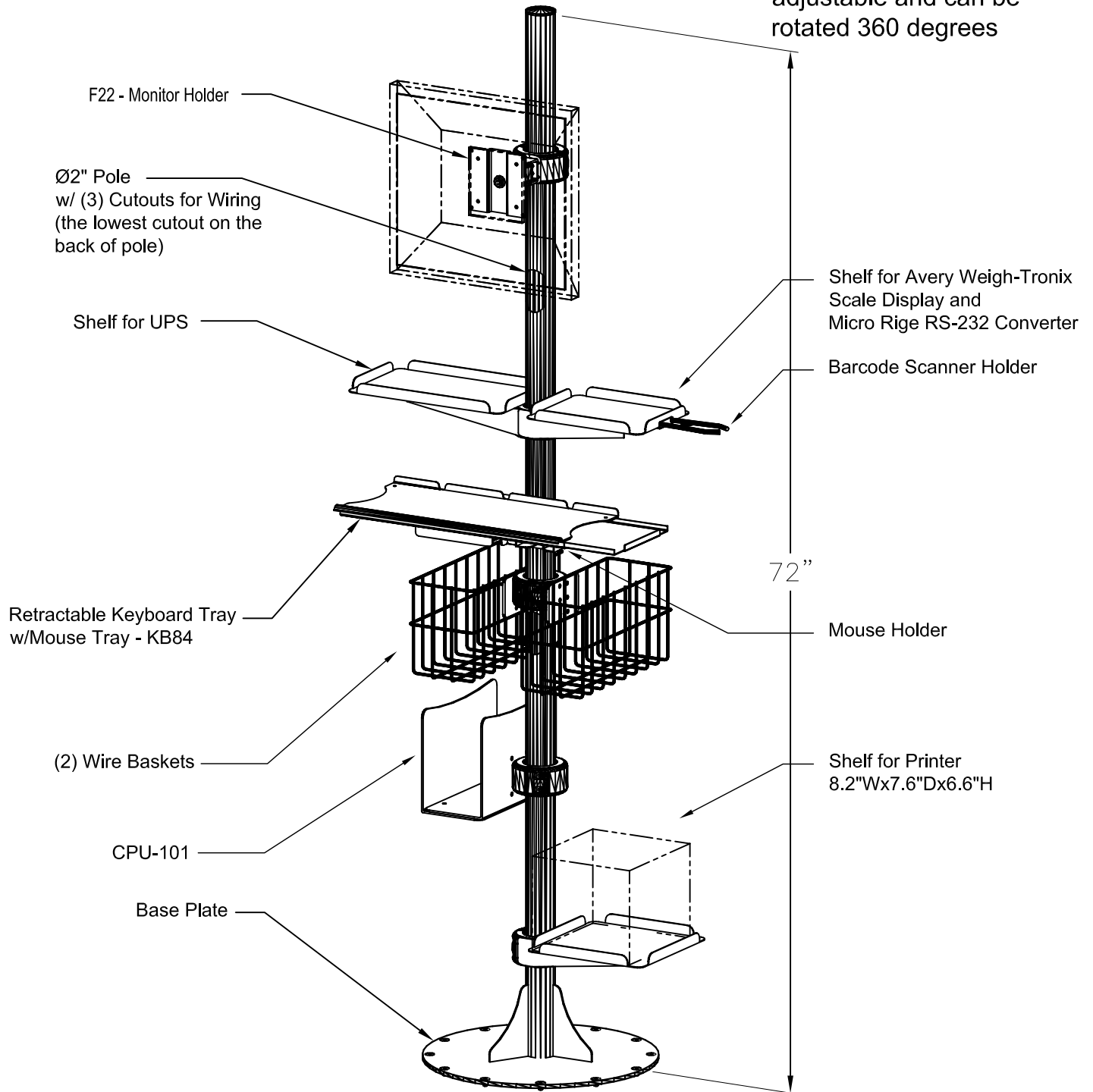


Every single item is height adjustable and can be rotated 360 degrees



ISOMETRIC VIEW

MATERIAL :	DRAWN BY: BD	DATE: 03/09/11	DESCRIPTION :	
	A P P R O V E D		Stationary Pole Cart	
TOLERANCES UNLESS OTHERWISE SPECIFIED FRACTIONAL ±1/64 2 PLC. DEC. ±.01 3PLC. DEC. ±.001 ANGULAR ±5° FINISH	ENG :		USED ON :	
	MFG :		PATH :	
	QA :		NUMBER :	
	SCALE : N.T.S.	SHEET : 1 OF 1	SPC_F_2Sh_KB84_2WB_C1_Sh-01	REV: .