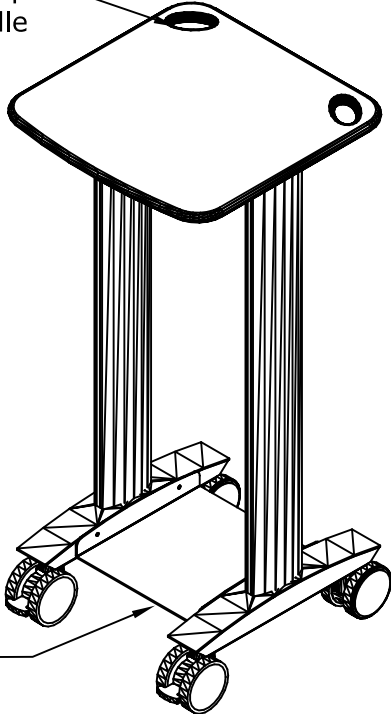
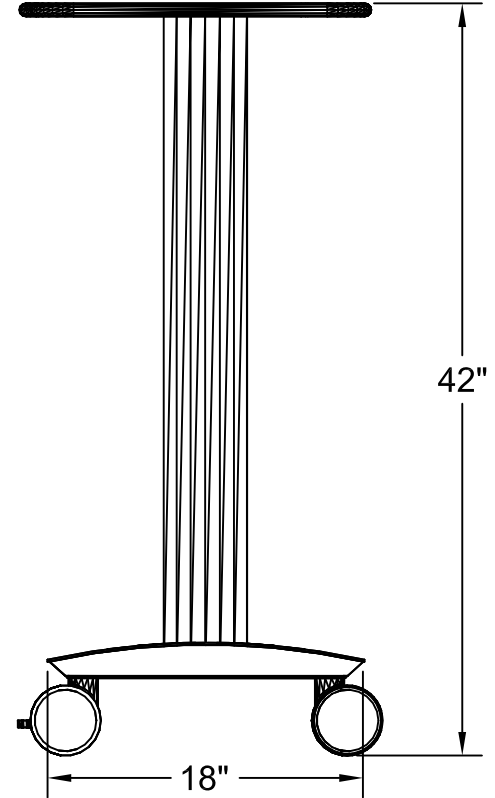
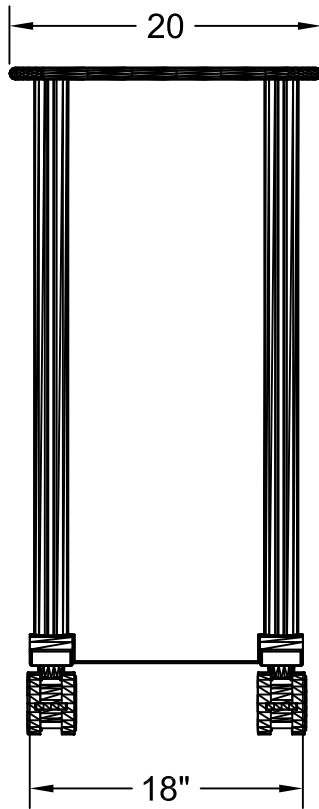
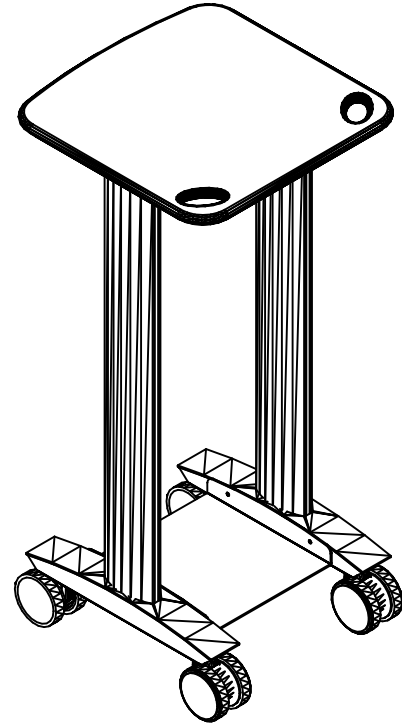


20"Wx20"D Top
with Handle



Shelf for
CPU/UPS or
Battery



MATERIAL :

DRAWN BY : PR

DATE: 04/19/2010

DESCRIPTION : Static Laptop Cart

A P P R O V E D

TOLERANCES UNLESS OTHERWISE SPECIFIED

FRACTIONAL ±1/64
2 PLC. DEC. ±.01
3PLC. DEC. ±.001
ANGULAR ±.5°
FINISH √32

ENG :

MFG :

QA :

SCALE: N.T.S.

SHEET : 1 OF 1

USED ON :

PATH : Final Assembly/C&R/Laptop Cart/Static LC

NUMBER : SLC200_181842-01

LAYER :

REV: SIZE A