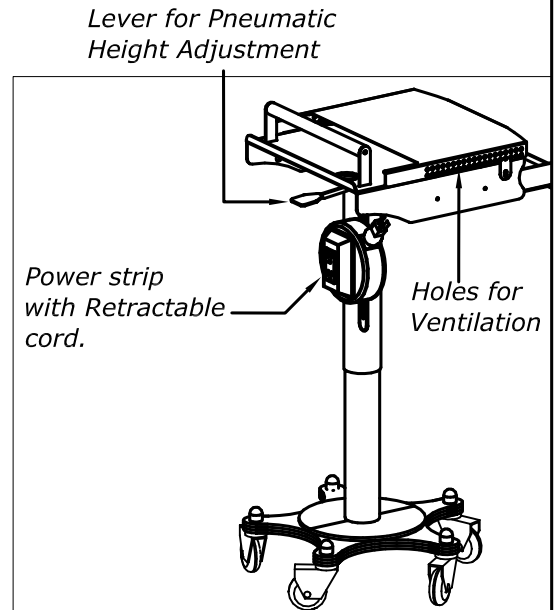


Laptop Size:
14"W X 12"Dp X 1.25"H
(Standard Size to fit)



NOTES :	MATERIAL :	DRAWN BY: PR	DATE: 02/01/2010	DESCRIPTION :
	AS NOTED ABOVE	APPROVED		POINT OF CARE CART
	TOLERANCES UNLESS OTHERWISE SPECIFIED	ENG :		USED ON :
	FRACTIONAL ±1/64 2 PLC. DEC. ±.01 3PLC. DEC. ±.001 ANGULAR ±.5° FINISH √	MFG :		PATH : F.ASSY/MAXFLEX/PC700/LP/SALE2010
		QA :		PDF NAME:
		SCALE: NTS	SHEET 1 OF 1	PC700_LP_1816_KB_LPLCK_RPC-01