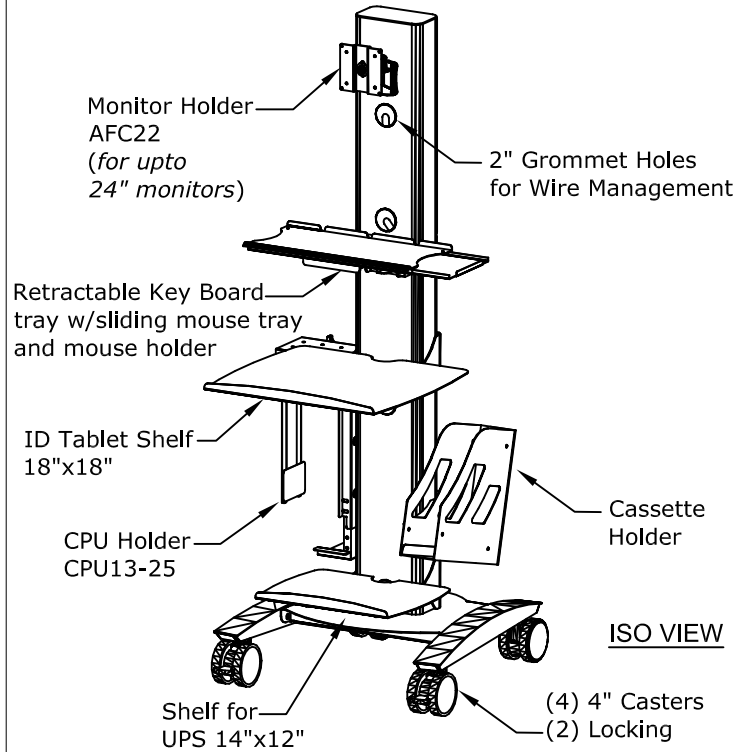
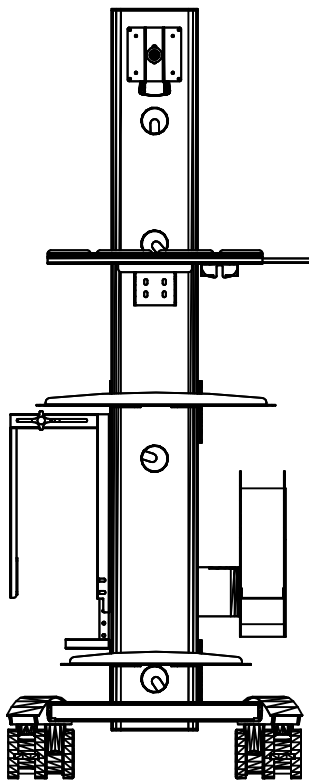


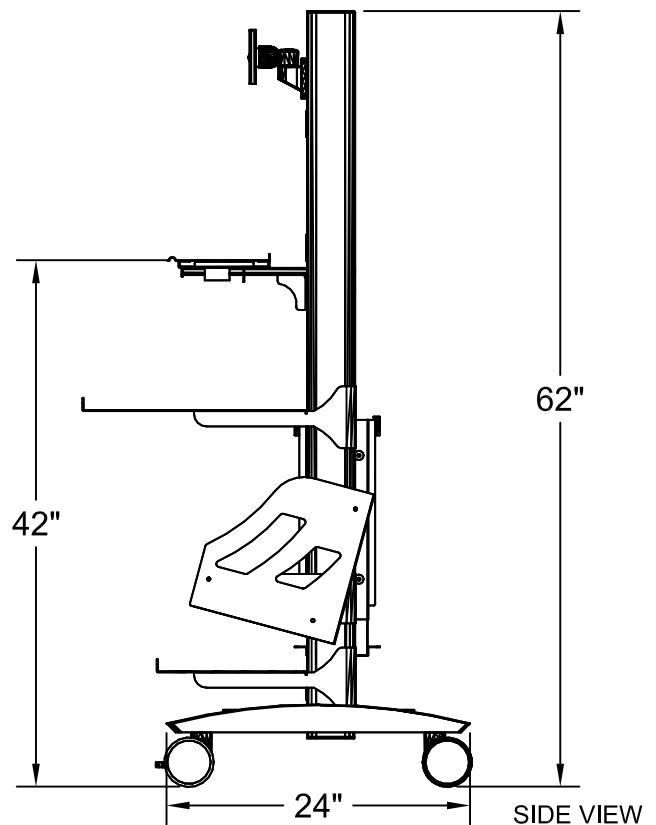
TOP VIEW



ISO VIEW



FRONT VIEW



SIDE VIEW

Note : Concept Drawing Only Final
Design may vary
Dim. Tolerances ±1/4"

DRAWN BY : PR

DATE: 12/28/2010

DESCRIPTION :

MINI PLASMA CART

A P P R O V E D

USED ON :

TOLERANCES UNLESS OTHERWISE SPECIFIED

FRACTIONAL ±1/64

2 PLC. DEC. ±.01

3 PLC. DEC. ±.001

ANGULAR

FINISH



ENG :

MFG :

QA :

SCALE : N.T.S.

SHEET : 1 OF 1

PATH :

Cart & Racking/Plasma Cart/MLCD

NUMBER :

MLCD200_F22_1RKB_2SH_00-01

REV: SIZE

A