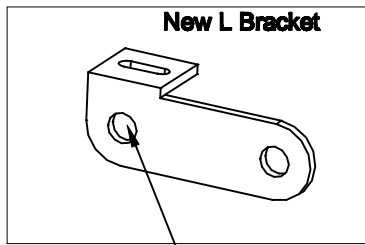


MATERIAL : USE 200N PISTON	DRAWN BY: RS/VGM	DATE: 08/16/12	DESCRIPTION :
	APPROVED		LAPTOP CART
TOLERANCES UNLESS OTHERWISE SPECIFIED FRACTIONAL ±1/64 2 PLC. DEC. ±.01 3PLC. DEC. ±.001 ANGULAR FINISH	ENG:		USED ON :
	MFG:		PATH: MAXFLEX LAPTOP CART
	QA:		NUMBER: LPC750_2117_KB_2MB_SHIM_11
	SCALE: ~ 3/4" = 1' - 0"	SHEET: 1 OF 2	REV: SIZE A

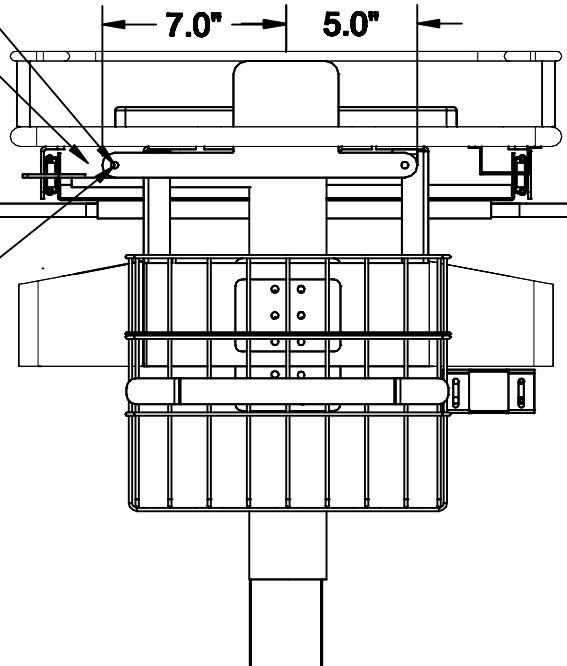


ø0.375" hole for padlock

ø0.265" hole for padlock

View from the rear of the cart

Laptop locking lever has been extended 2" to the left to allow easy install of the padlock

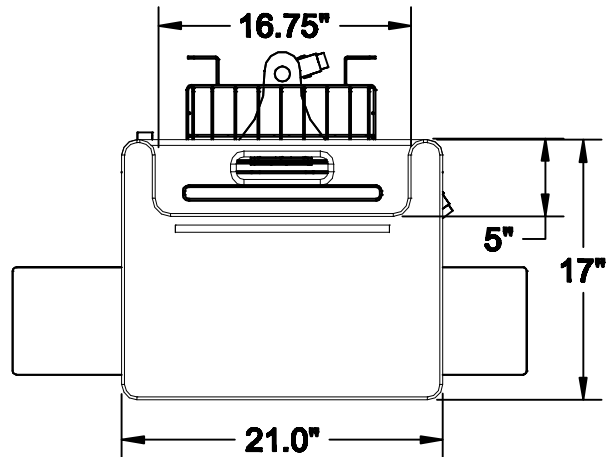


(4) 1/2" Rubber Bump

1/8" Thick Rubber pad

Only 4" screws to be used.

TOP VIEW



MATERIAL :	DRAWN BY: RS/VGM	DATE: 08/16/12	DESCRIPTION :
	A P P R O V E D		LAPTOP CART
TOLERANCES UNLESS OTHERWISE SPECIFIED FRACTIONAL ±1/64 2 PLC. DEC. ±.01 3PLC. DEC. ±.001 ANGULAR FINISH	ENG:		USED ON :
	MFG:		PATH:
	QA:		MAXFLEX LAPTOP CART
	SCALE: ~ 3/4" = 1' - 0"	SHEET: 2 OF 2	NUMBER:
		LPC750_2117_KB_2MB_SHIM_11	. A