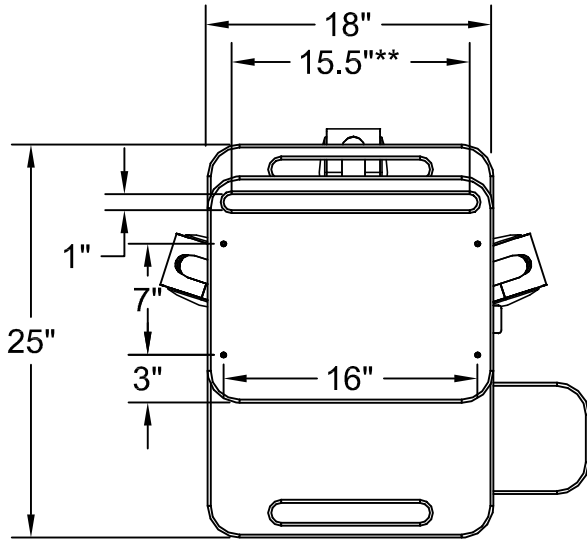
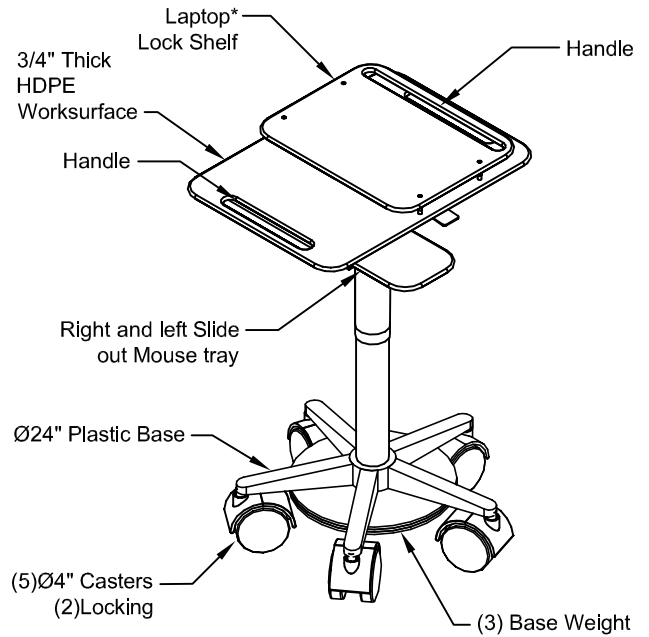


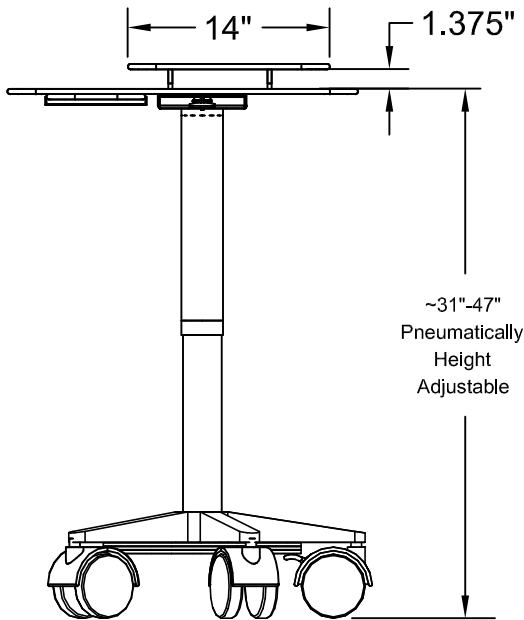
TOP VIEW



ISOMETRIC VIEW



SIDE VIEW



** CUTOUT IS 15.5"

** MAX WIDTH OF LAPTOP THAT CAN FIT IS 15"

175N GAS SPRING REQD
Height range +/-1"

DRAWN BY : BD/YN

DATE: 03/21/13

DESCRIPTION :

LAPTOP CART

A P P R O V E D

USED ON :

TOLERANCES UNLESS OTHERWISE SPECIFIED

FRACTIONAL ±1/64
2 PLC. DEC. ±.01
3PLC. DEC. ±.001
ANGULAR ±.5°
FINISH 32/√

ENG :

MFG :

QA :

SCALE: N.T.S.

SHEET : 1 of 1

PATH :

\\Fin.Assy\Maxflex\Laptop Cart\PC200\

PDF NAME:

LPC200-1825-27