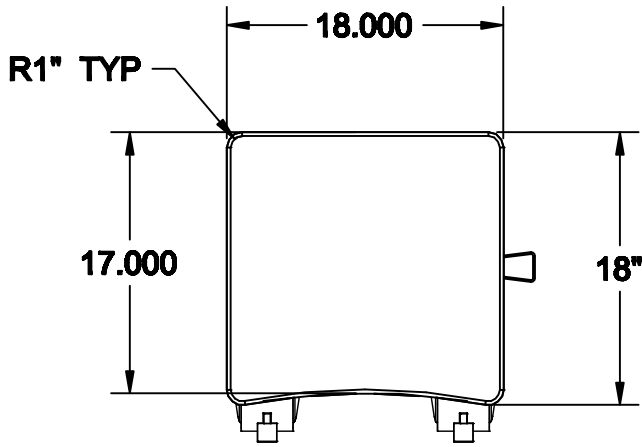
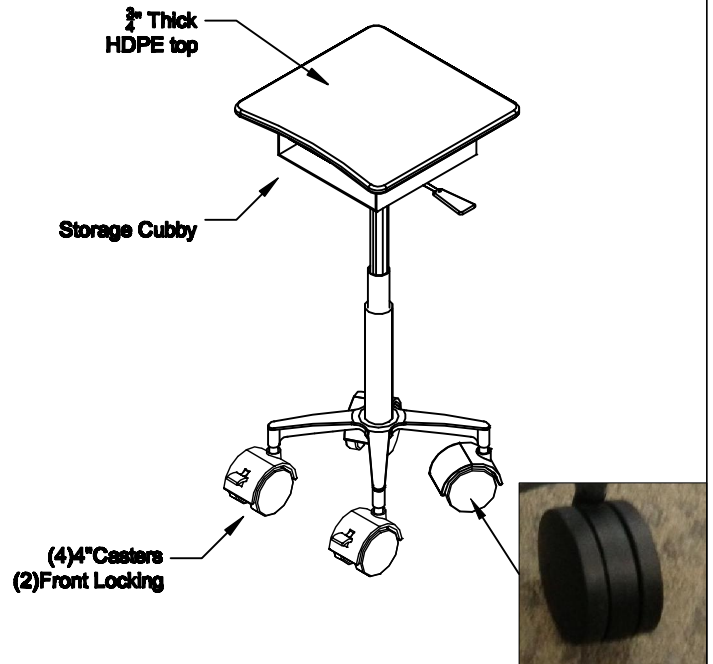


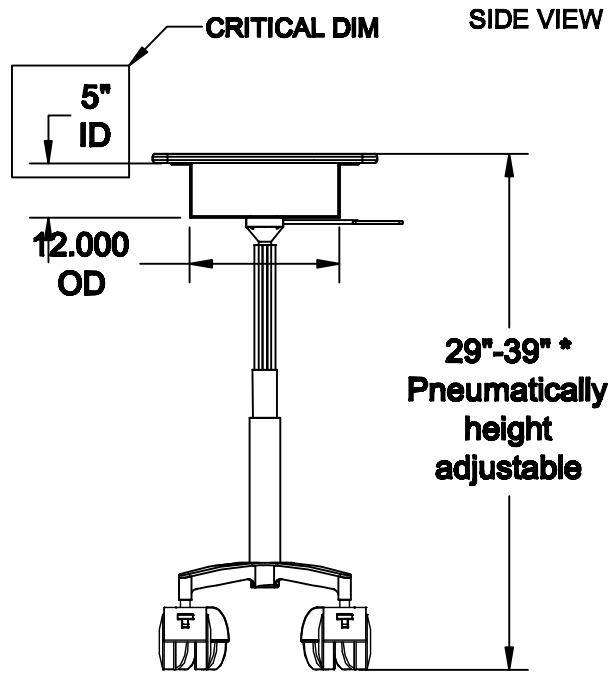
TOP VIEW



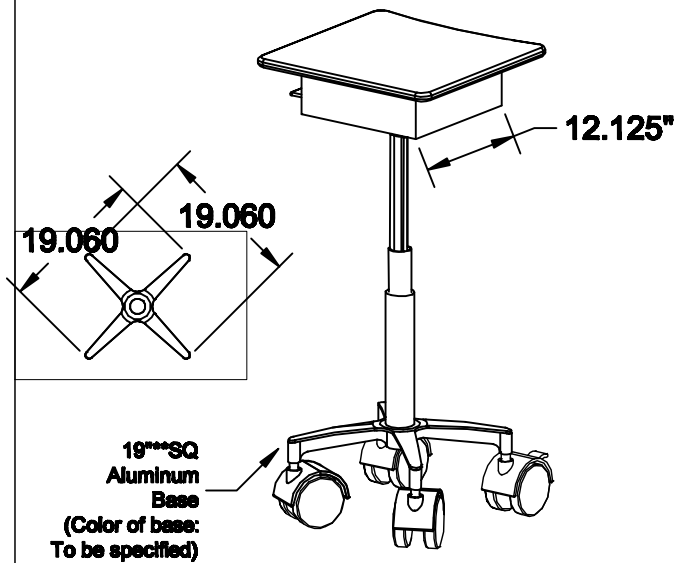
ISOMETRIC VIEW



SIDE VIEW



REAR ISO VIEW



| | | | |
|---|-----------------------|----------------------|--|
| 150N REQD: *Height range +-1" | DRAWN BY : VGM | DATE:01-16-13 | DESCRIPTION : |
| | A P P R O V E D | | LAPTOP CART |
| TOLERANCES UNLESS OTHERWISE SPECIFIED *Height range +-1" 3PLC. DEC. ±.25" | ENG : | | USED ON : |
| | MFG : | | PATH : Maxflex/Laptop Cart/LPC125 |
| | QA : | | PDF NAME: LPC125-1818-02 |
| | SCALE: N.T.S. | SHEET : 1 of 1 | |