

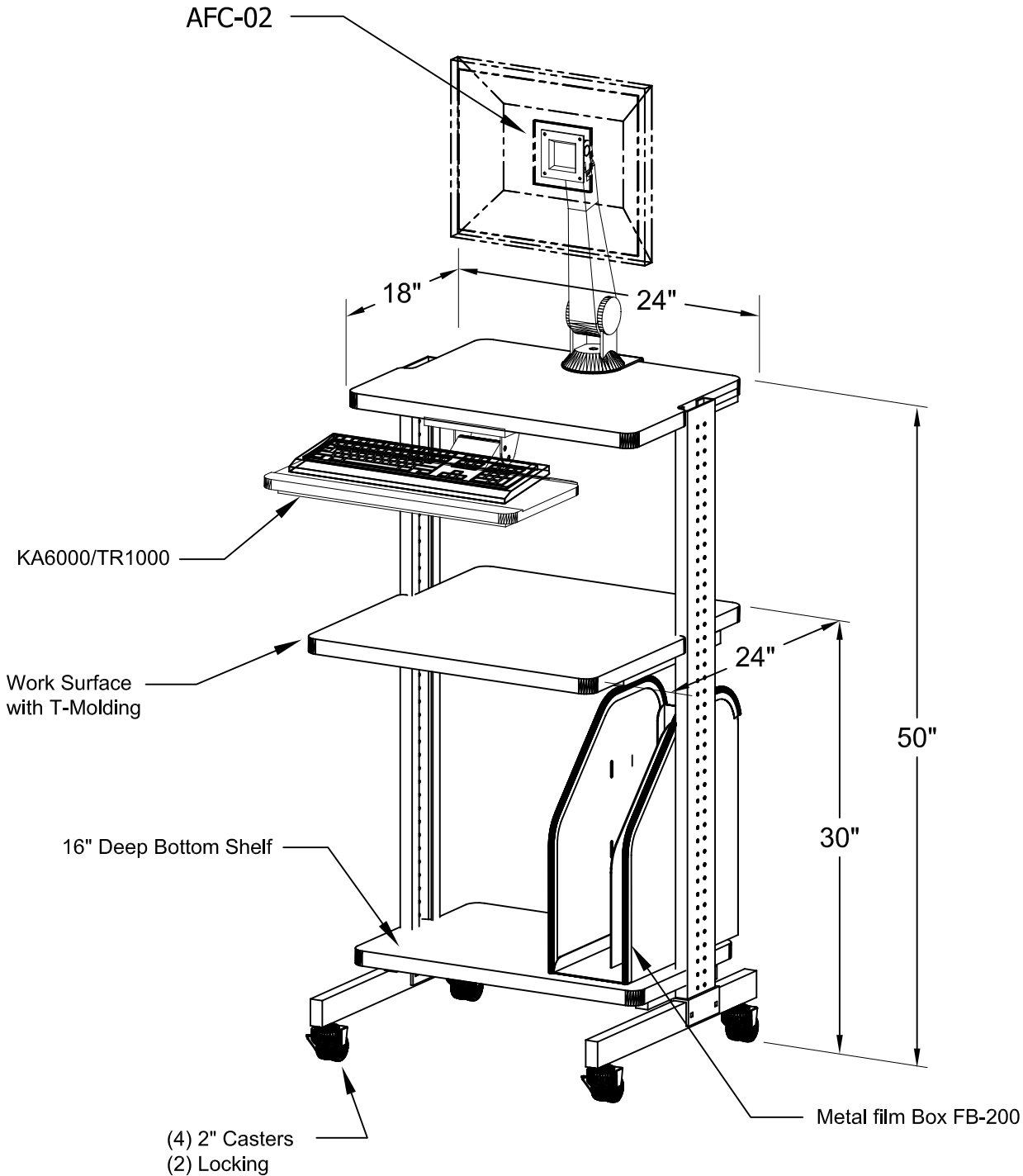


INDUSTRIES, INC.

13-16 133 PLACE
COLLEGE POINT, NY 11356

TEL: (718)747-0237
FAX: (718)747-0726

THE PLANS AND DRAWINGS CONTAINED HEREIN ARE
PROPRIETARY AND MAY NOT BE COPIED OR REPRODUCED
MECHANICALLY, ELECTRONICALLY OR BY ANY MEANS
WITHOUT WRITTEN PERMISSION FROM AFC INDUSTRIES, INC.



MATERIAL :	DRAWN BY : BD	DATE: 04/11/11	DESCRIPTION :
	A P P R O V E D		IntelliStand
TOLERANCES UNLESS OTHERWISE SPECIFIED	ENG :		USED ON :
FRACTIONAL ±1/64	MFG :		PATH :
2 PLC. DEC. ±.01	QA :		\\Fin.Assy\Intellistand\IS2400\
3PLC. DEC. ±.001	SCALE: N.T.S.	SHEET : 1 OF 2	NUMBER :
ANGULAR ±.5°			IS242450_T_S_1610_1F_00_T_F_F00_01
FINISH √			