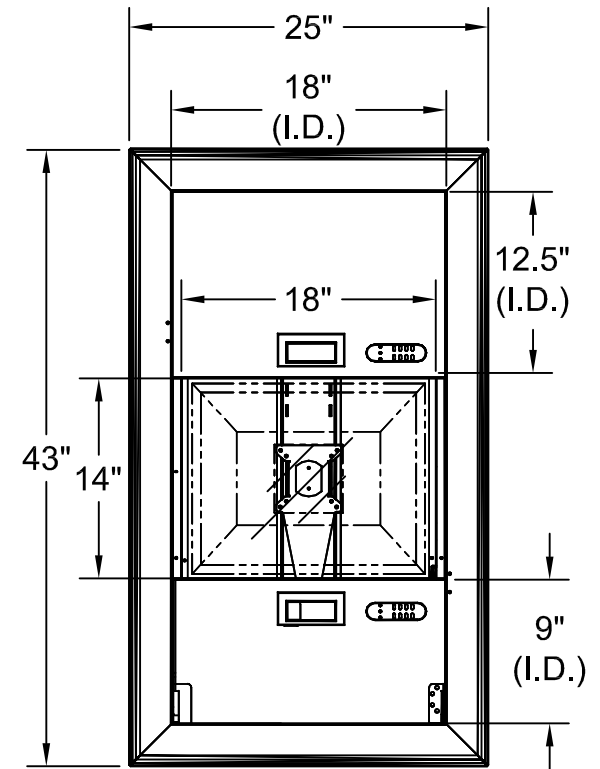


ISOMETRIC VIEW

CPU Size: 12"Wx3.25"Dx11.5"H
Monitor : 16"Wx13.5"Hx3"D



FRONT VIEW

NOTES :

Concept drawing only.
Final design may vary

MATERIAL :

TOLERANCES UNLESS OTHERWISE SPECIFIED
FRACTIONAL ±1/64
2 PLC. DEC. ±.01
3 PLC. DEC. ±.001
ANGULAR ±.5°
FINISH



DRAWN BY: YN

DATE: 07/03/12

APPROVED

ENG :

MFG :

QA :

NOT TO SCALE

SHEET: 1 OF 1

DESCRIPTION :

Height Adjustable I-Center

USED ON :

PATH :
\\F.Assy\I-Center\IR-900\

PDF NAME:
IR900-101

REV: SIZE
. A