



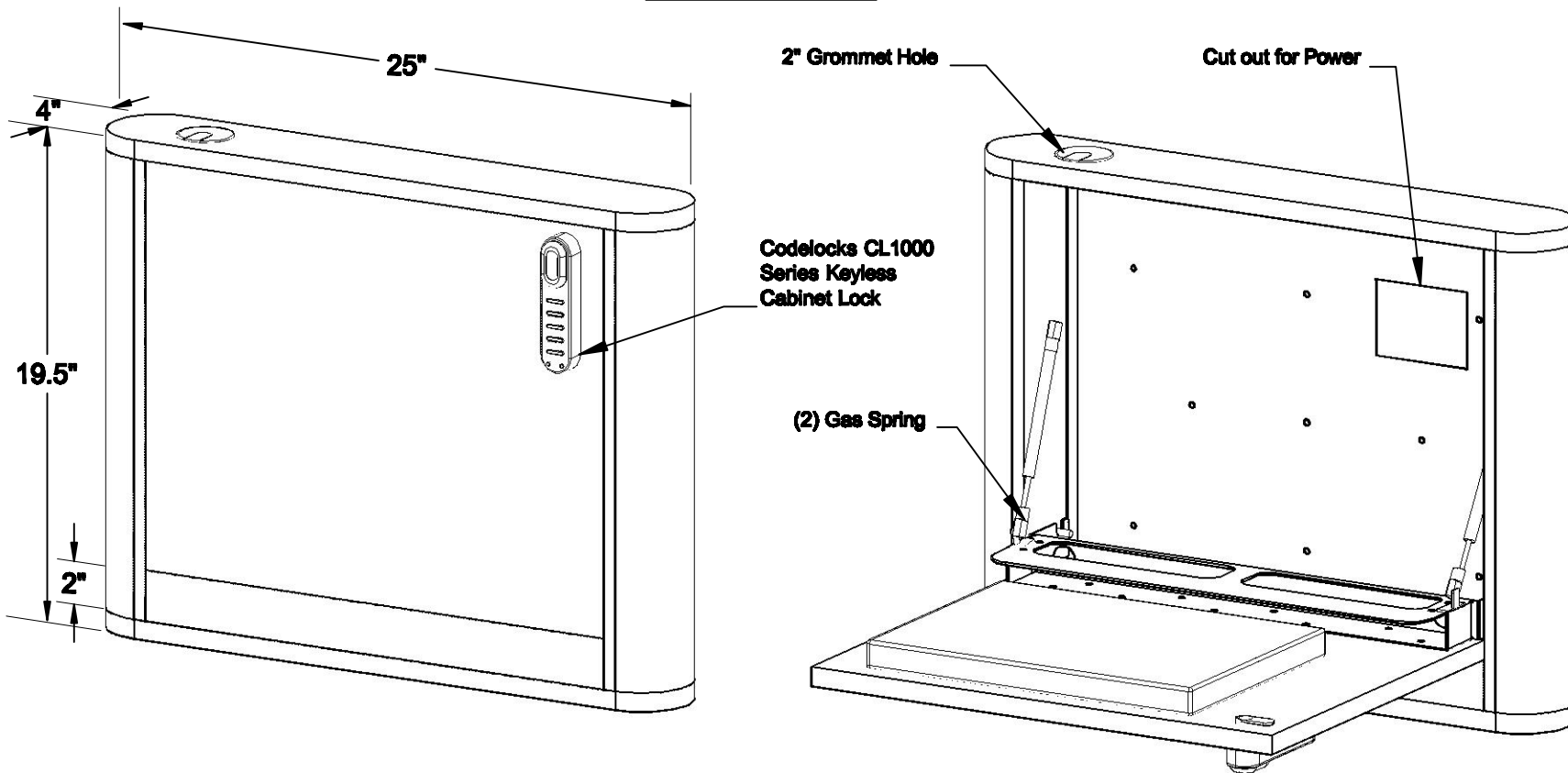
13-16 133 PLACE
COLLEGE POINT, NY 11356

TEL: (718) 747-0237
FAX: (718) 747-0726

THE PLANS AND DRAWINGS CONTAINED HEREIN ARE PROPRIETARY AND MAY NOT BE COPIED OR REPRODUCED MECHANICALLY, ELECTRONICALLY OR BY ANY MEANS WITHOUT WRITTEN PERMISSION FROM AFC INDUSTRIES, INC.



ISOMETRIC VIEW



NOTES:	MATERIAL:	DRAWN BY: KH	DATE: 05-06-11	DESCRIPTION:
	TOLERANCES UNLESS OTHERWISE SPECIFIED FRACTIONAL ±1/64 2 PLC. DEC. ±.01 3PLC. DEC. ±.001 ANGULAR FRESH	APPROVED		I-CENTER
		ENG:		USED ON:
		MFG:		PATH: L:\Fin.Assemb\I-CENTER\IR600
	QA:		PDF NAME: IR600-003	REV: A
		NOT TO SCALE	SHEET:	SIZE