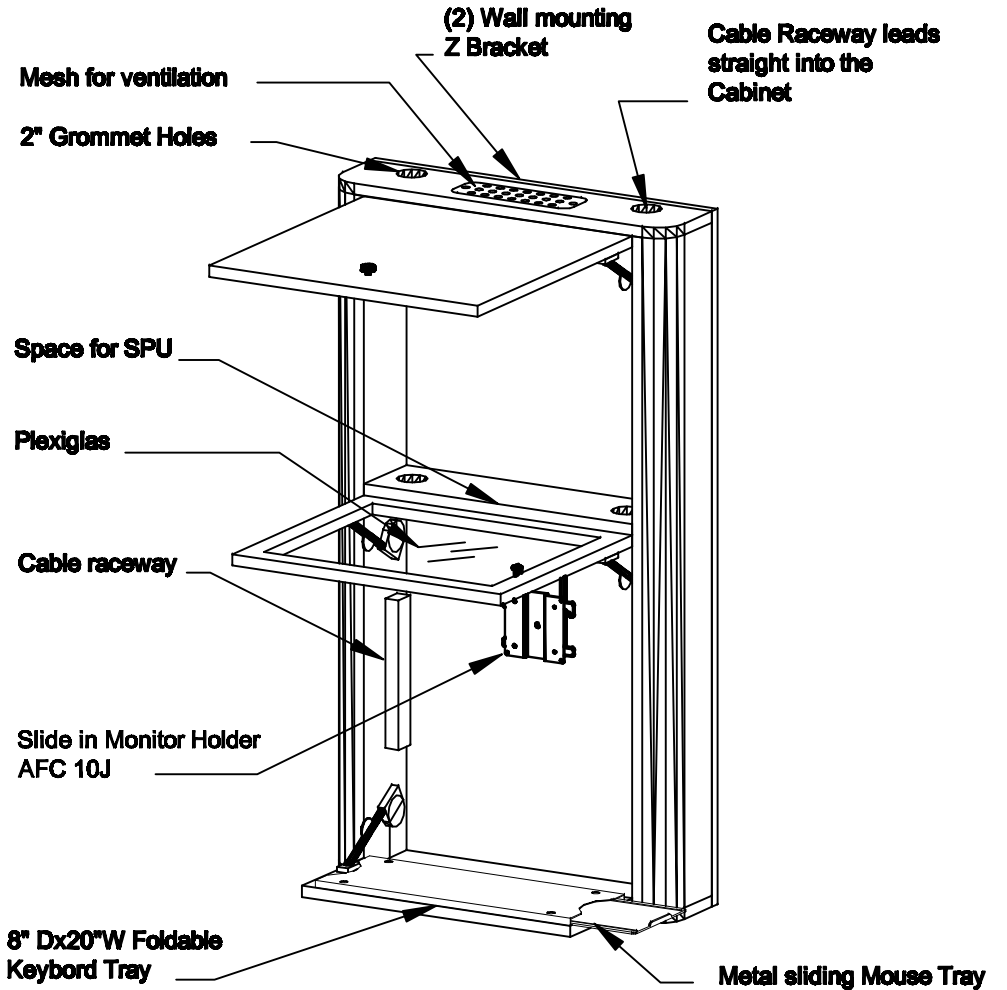


**ISOMETRIC VIEW**



**NOTES:**

**MATERIAL:**

**DRAWN BY: KH**

**DATE: 11-26-10**

**DESCRIPTION: I-CENTER**

**APPROVED**

**USED ON:**

**TOLERANCES UNLESS OTHERWISE SPECIFIED**

**ENG:**

**MFG:**

**QA:**

**PATH: L:\Fin.Assemb\I-CENTER\IR300**

FRACTIONAL ±1/64  
2 PLC. DEC. ±.01  
3 PLC. DEC. ±.001  
ANGULAR  
FINISH



**NOT TO SCALE**

**SHEET: 1 OF 1**

**PDF NAME: IR300-001**

**REV: SIZE A**