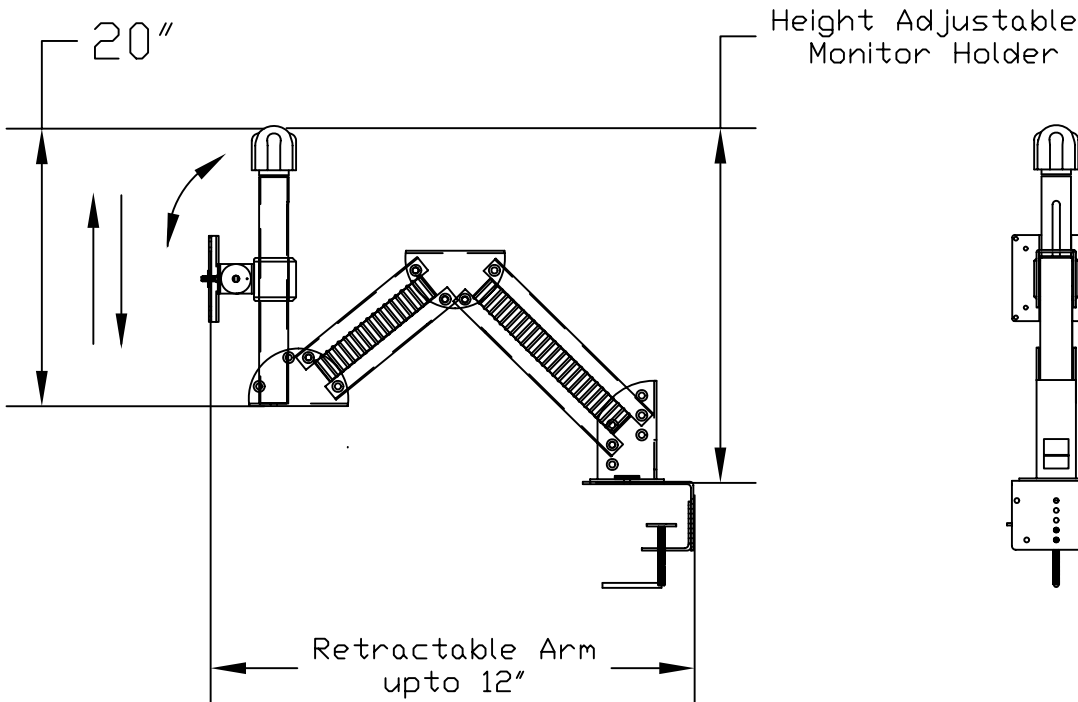
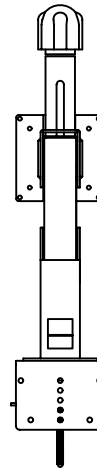


Clamp to Screw  
to wall or clamp



Retractable Arm  
upto 12"



MATERIAL :

DRAWN BY : RS

DATE: 12/11/06

DESCRIPTION :

A P P R O V E D

AFC FLEXOARM

TOLERANCES UNLESS OTHERWISE SPECIFIED

ENG :

USED ON :

FRACTIONAL ±1/64  
2 PLC. DEC. ±.01  
3PLC. DEC. ±.001  
ANGULAR ±.5°  
FINISH 32/

MFG :

PATH :  
Accessory\Monitor Arms\AFCFLEXOARM\2006

QA :

NUMBER : AFC FlexoARM

LAYER :

REV: SIZE

SCALE: N.T.S

SHEET : 1 OF 1

Δ