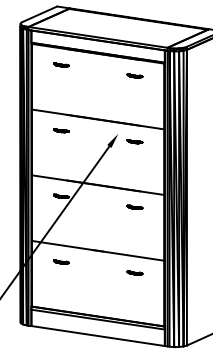
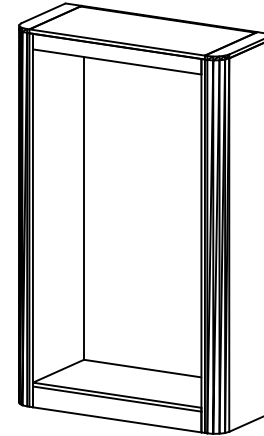
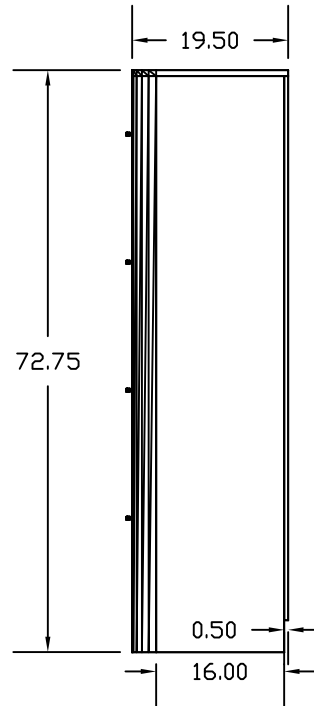
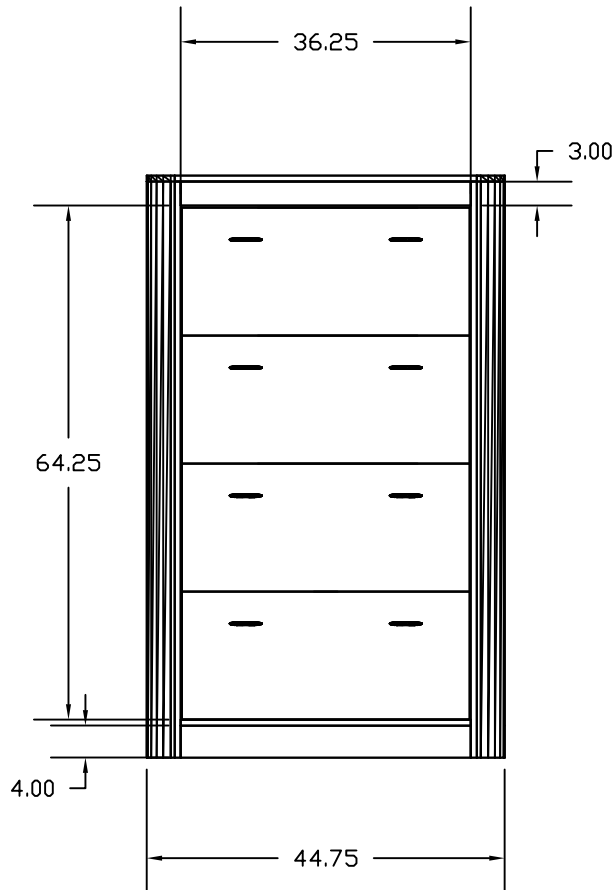


FRONT VIEW

SIDE VIEW

ISOMETRIC VIEW



(36"Wx18"Dx64H) Metal File Cabinet

NOTES :

MATERIAL :

DRAWN BY : KH

DATE: 05-11-10

DESCRIPTION :

TOLERANCES UNLESS OTHERWISE SPECIFIED

FRACTIONAL ±1/64  
2 PLC. DEC. ±.01  
3 PLC. DEC. ±.001

ANGULAR ±.5°  
FINISH

A P P R O V E D

ENG :

MFG :

QA :

USED ON :

PATH : F.ASSY\CABINetry

PDF NAME: File Cabinet\_01

SHEET : 1 OF 1

REV: SIZE  
. A