

Monitor on articulating Z arm (Z566-01)

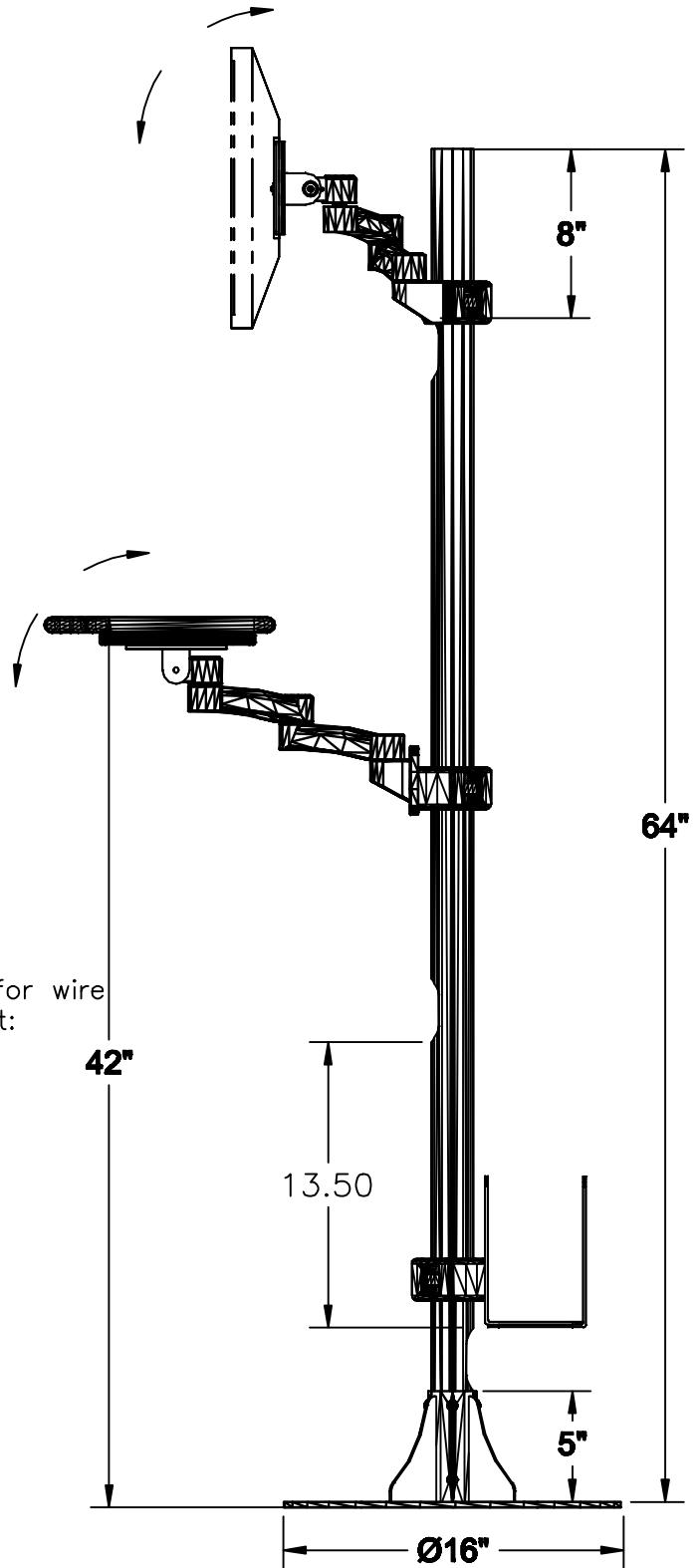
HDPE Keyboard and mouse tray on articulating Z arm (ZKB566-01).

Tray can retract and fold
12" X 1" Velcro provided

Adjustable CPU Holder CPU101

(3) Cutouts for wire management:
2 Front
1 Rear

Floor mounting base: Connected to pole using 8 bolts



MATERIAL :	DRAWN BY: VGM/BD	DATE: 03/13/13	DESCRIPTION :
	APPROVED		Floor Pole Post
TOLERANCES UNLESS OTHERWISE SPECIFIED	ENG:		USED ON:
	MFG:		PATH:
	QA:		\\Fin.Assy\Carts\System\Floor Post\
	SCALE : N.T.S.	SHEET : 1 OF 1	NUMBER : FPP_64_1Z_1ZKB_C1_01