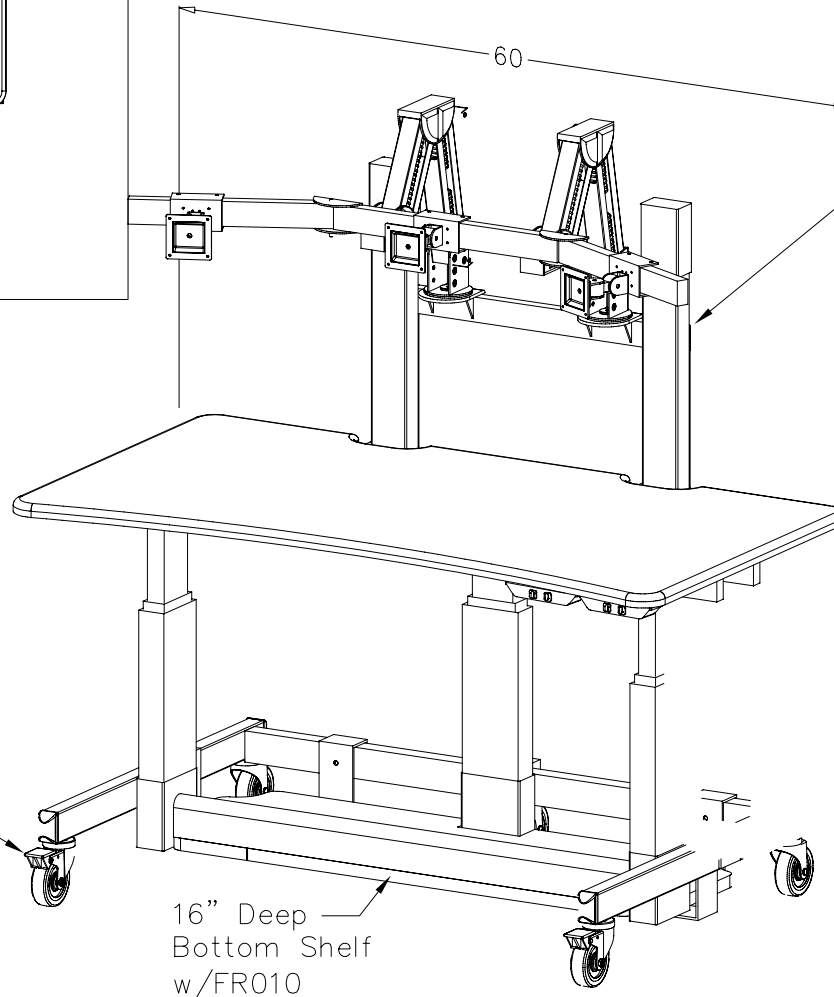


Plan View



Electronically Height Adjustable Monitor Platform on Telescopic Drives for (3) Monitors

34" Deep Work Surface w/Bumper Molding

28"-47" Electronically Height Adjustable

(5) 4" Casters
(2) Locking

16" Deep Bottom Shelf w/FR010

NOTES :

MATERIAL :
AS NOTED ABOVE

TOLERANCES UNLESS OTHERWISE SPECIFIED
FRACTIONAL ±1/64
2 PLC. DEC. ±.01
3PLC. DEC. ±.001
ANGULAR ±.5°
FINISH √

DRAWN BY : PES

DATE: 8/7/06

DESCRIPTION:

ET6034

A P P R O V E D

USED ON :

ENG :

MFG :

QA :

PATH :
MaxFlex\ErgoTier\ET6034\2006

PDF NAME:
ET6034_B_S_0000_3F_00_0_B_AAT_01

SIZE
A

SCALE : N.T.S.

SHEET : 1 OF 1