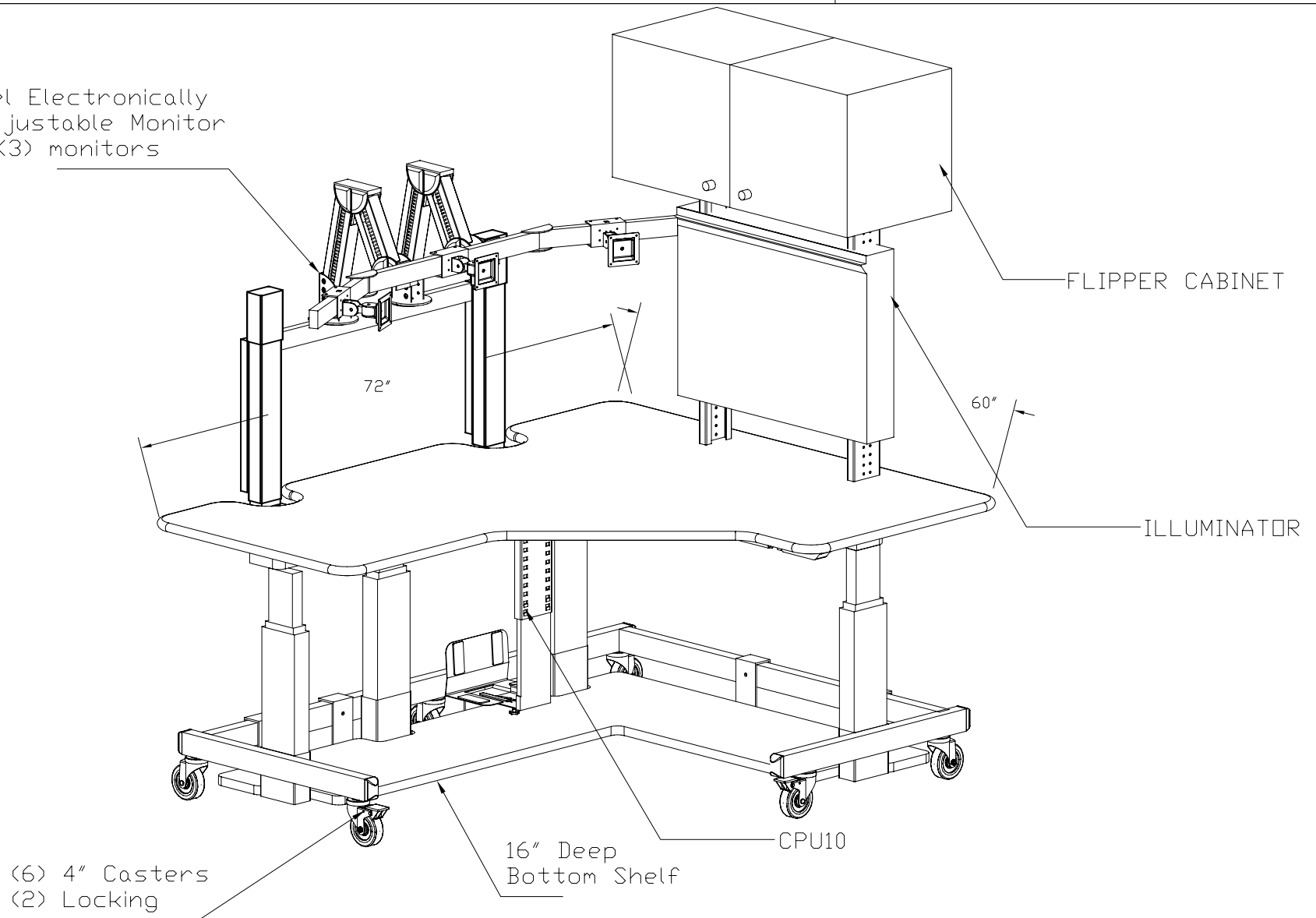


Flat Panel Electronically
Height Adjustable Monitor
Arm for (3) monitors



NOTES :

MATERIAL :
AS NOTED ABOVE

TOLERANCES UNLESS OTHERWISE SPECIFIED
FRACTIONAL ±1/64
2 PLC. DEC. ±.01
3 PLC. DEC. ±.001
ANGULAR ±.5°
FINISH √

DRAWN BY : PES

DATE: 04/19/06

DESCRIPTION :

CET72603030

A P P R O V E D

USED ON :

ENG :

MFG :

QA :

PATH :

F.Assembly\MaxFlex\ETCorner\7260

SCALE : N.T.S.

SHEET : 1 OF 1

PDF NAME:

CET72603030_S_1620_3F_00_0_B_AT0_01