

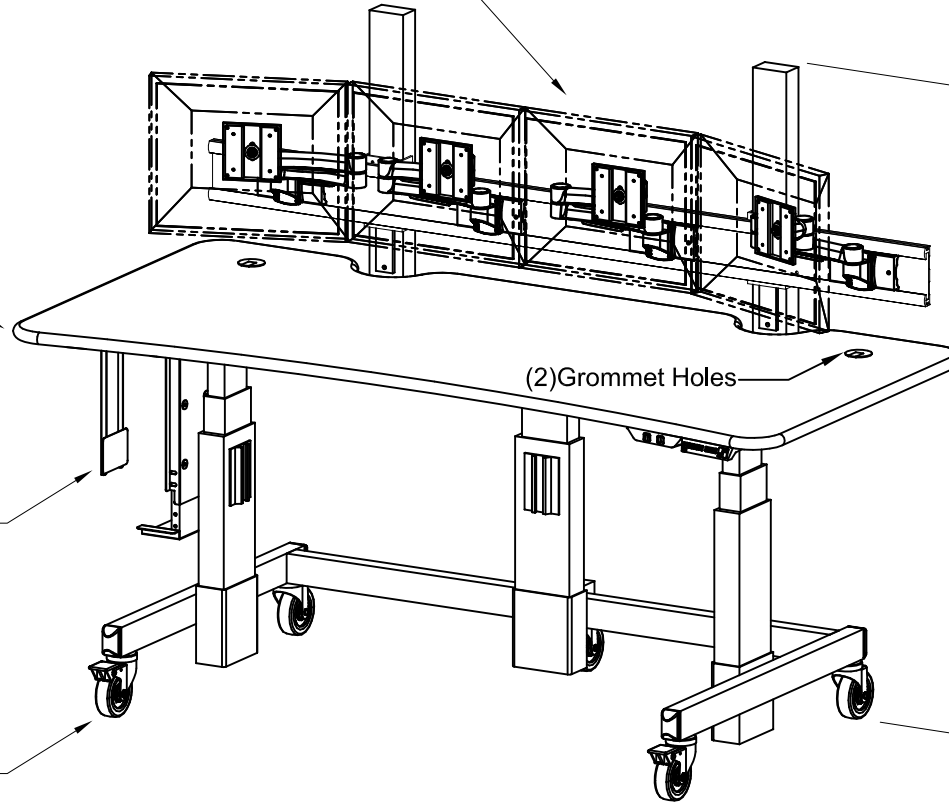
TOP VIEW

Electronically Height Adjustable Platform on Telescopic Drives with (4) AFCZ566 Arms on 66" Rail

Work Surface with Bumper Molding

(1)CPU13-25

(5)4" Casters
(2) Locking



19" Stroke Electronically Adjustable

28"-47" Electronically Height Adjustable

(2) Grommet Holes

ISOMETRIC VIEW

NOTES :

MATERIAL :
AS NOTED ABOVE

TOLERANCES UNLESS OTHERWISE SPECIFIED
FRACTIONAL ±1/64
2 PLC. DEC. ±.01
3 PLC. DEC. ±.001
ANGULAR ±.5°
FINISH √

DRAWN BY : PR

DATE: 06/29/12

DESCRIPTION :

ERGO TIER CART

A P P R O V E D

ENG :

MFG :

QA :

SCALE : N.T.S.

SHEET : 1 OF 1

USED ON :

PATH :
\\F.ASSMBLY\MAXFLEX\ET\ET7234\2010\

NUMBER :
ET7234_B_SE_0000_4FZX_1C_0_00_000-01