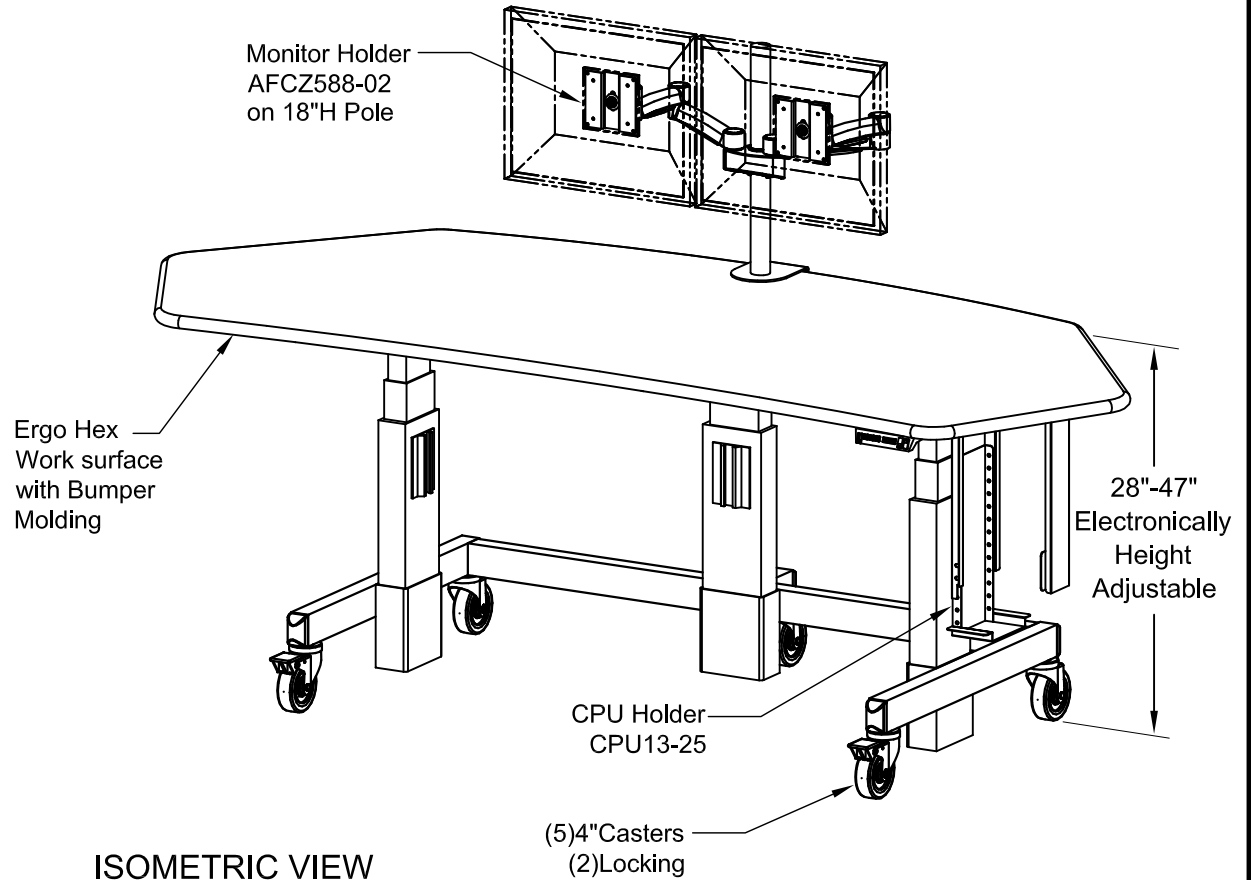


TOP VIEW



ISOMETRIC VIEW

NOTES :

MATERIAL :
AS NOTED ABOVE

TOLERANCES UNLESS OTHERWISE SPECIFIED
FRACTIONAL ±1/64
2 PLC. DEC. ±.01
3PLC. DEC. ±.001
ANGULAR ±.5°
FINISH √

DRAWN BY : PR

DATE: 05/02/11

DESCRIPTION :
EH8436

A P P R O V E D

ENG :

MFG :

QA :

SCALE : N.T.S.

SHEET : 1 OF 1

USED ON :

PATH :
FIN ASSEMBLIES\MAXFLEX\ERGOHEX\2010

PDF NAME:
EH8436_B_EH_0000_2FZ_1C_0_00_00_01

REV: SIZE
A