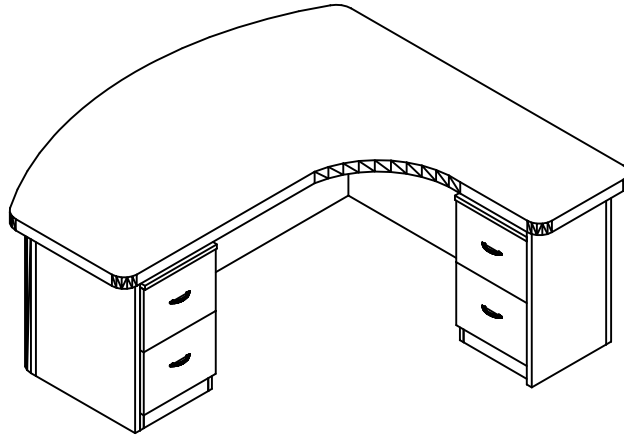
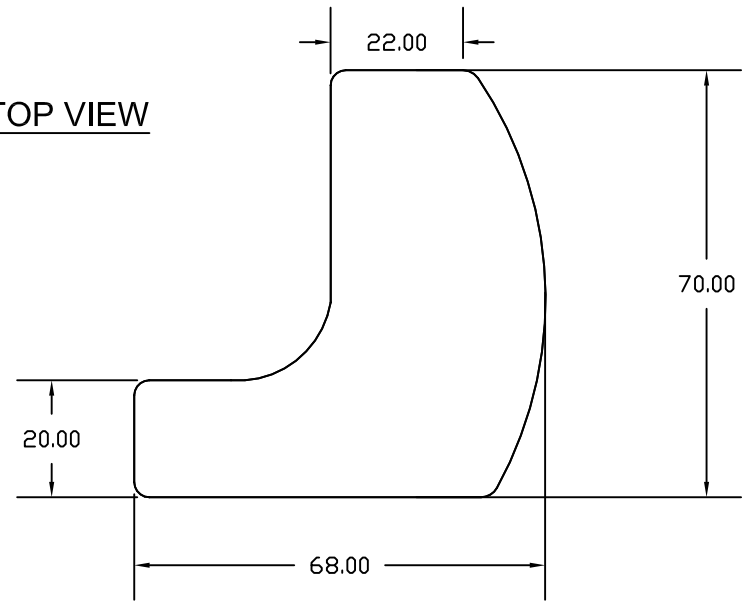


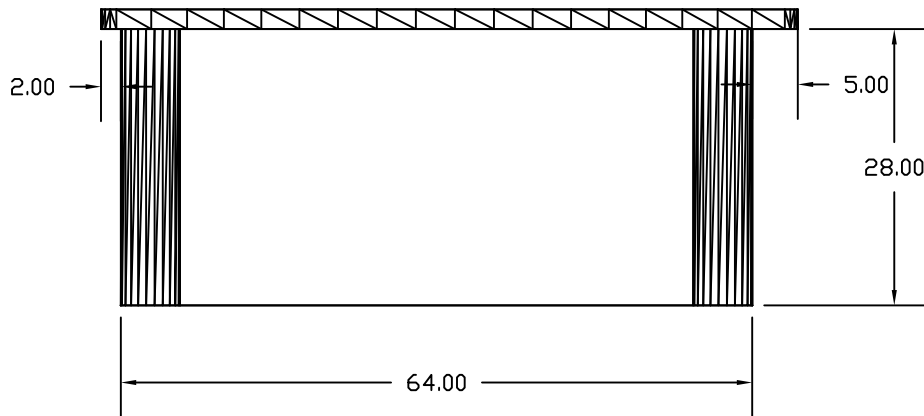
ISOMETRIC VIEW



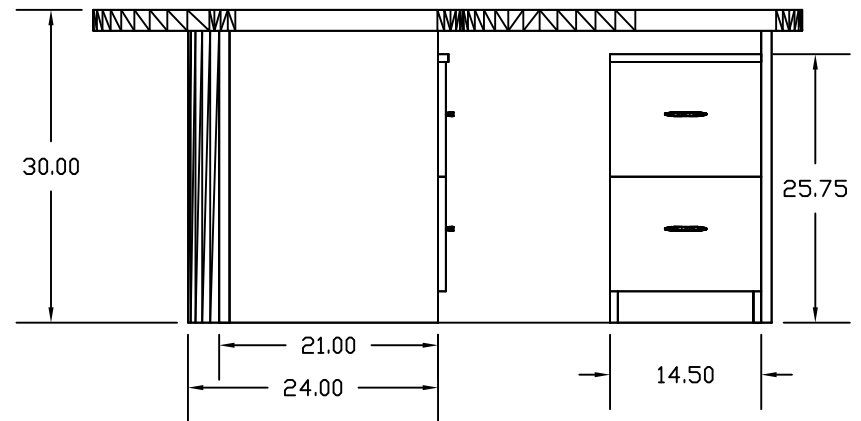
TOP VIEW



FRONT VIEW



SIDE VIEW



NOTES :

MATERIAL :

DRAWN BY : KH/MK

DATE: 05-10-10

DESCRIPTION :

TOLERANCES UNLESS OTHERWISE SPECIFIED

A P P R O V E D

FRACTIONAL ±1/64
2 PLC. DEC. ±.01
3 PLC. DEC. ±.001
ANGULAR
FINISH

±.5°
32

ENG :

MFG :

QA :

SHEET : 1 OF 1

USED ON :

PATH : F:\ASSY\CABINETRY\EXECUTIVE DESK

PDF NAME: Desk_01

REV: SIZE
. A