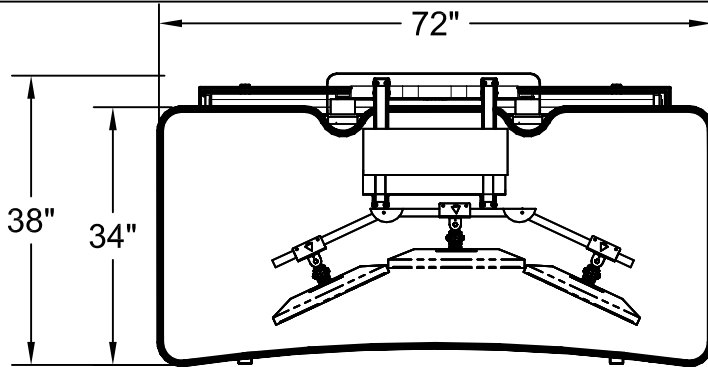




13-16 133 PLACE
COLLEGE POINT, NY 11356

TEL: (718)747-0237
FAX: (718)747-0726

THE PLANS AND DRAWINGS CONTAINED HEREIN ARE PROPRIETARY AND MAY NOT BE COPIED OR REPRODUCED MECHANICALLY, ELECTRONICALLY OR BY ANY MEANS WITHOUT WRITTEN PERMISSION FROM AFC INDUSTRIES, INC.



TOP VIEW

Electrically Retractable
Monitor Holders for 3
Monitors

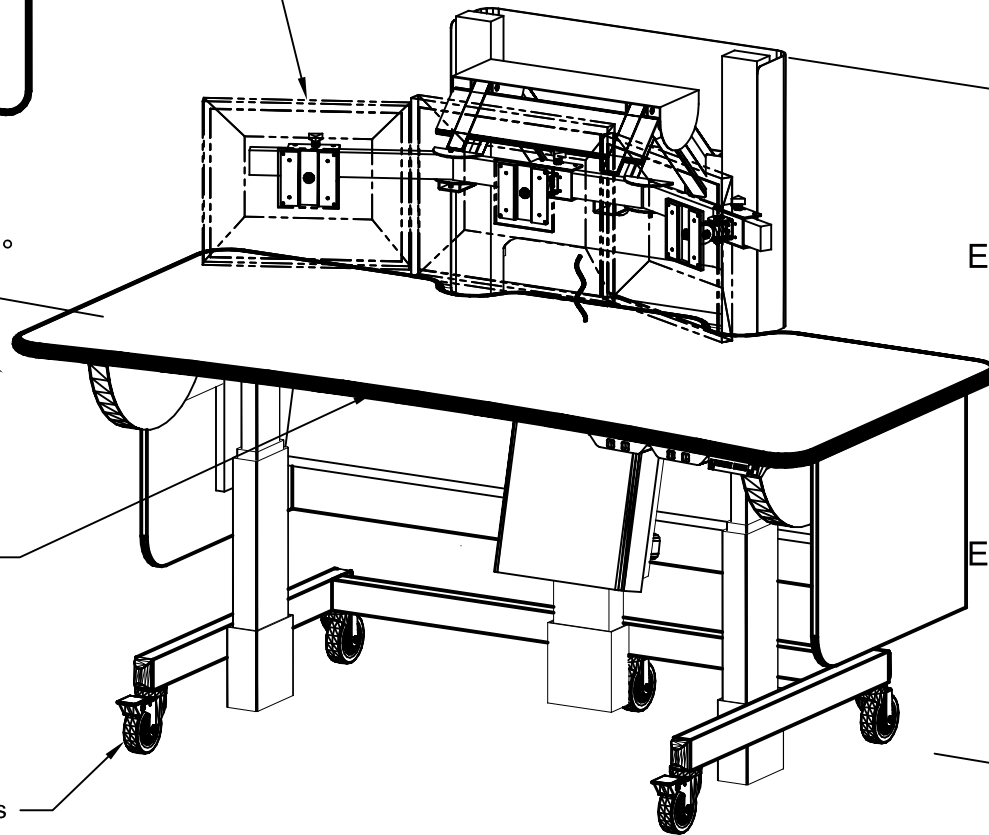
Table Tilting
5°
10°

Bumper Molding
w/Soft Ergo Cut

(5) 4" Casters
(2) Locking

19"
Stroke
Electrically
Height
Adjustable

28"-47"
Electrically
Height
Adjustable



ISOMETRIC VIEW

NOTES :

MATERIAL :
AS NOTED ABOVE

TOLERANCES UNLESS OTHERWISE SPECIFIED
FRACTIONAL ±1/64
2 PLC. DEC. ±.01
3PLC. DEC. ±.001
ANGULAR ±.5°
FINISH 32/

DRAWN BY : PR

A P P R O V E D

ENG :

MFG :

QA :

SCALE : N.T.S.

DATE: 06/11/09

SHEET : 1 OF 1

DESCRIPTION :

DXET7234

USED ON :

PATH :
L/Final/Maxflex/ErgoTier/DXET/7200

NUMBER :

DXET_7234_S_0000_3F_00_0_00_000_02