

(2)24" Deep Straight Work surfaces with B-Molding

24" Pole with AFCZ5-88 VESA 75/100 Compliant Monitor Holder

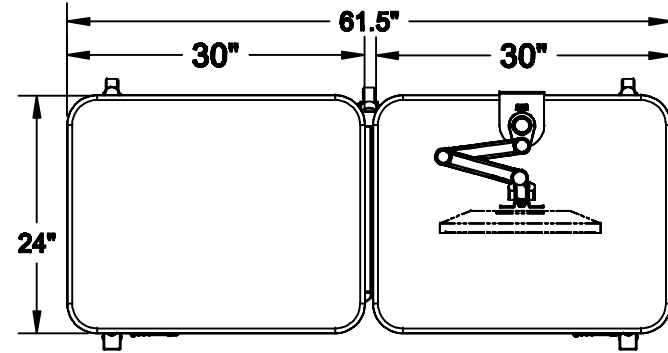
28"-47" Electronically Height Adjustable

28"-47" Electronically Height Adjustable

16" Deep Bottom Shelf

(5) Ø4" Casters
(2) Locking

ISOMETRIC VIEW



TOP VIEW

NOTES :

MATERIAL :

DRAWN BY : MK/YN

DATE: 07/31/12

DESCRIPTION:

Duet Tier Cart

A P P R O V E D

USED ON :

TOLERANCES UNLESS OTHERWISE SPECIFIED

FRACTIONAL ±1/64
2 PLC. DEC. ±.01
3PLC. DEC. ±.001
ANGULAR ±.5°
FINISH √

ENG :

MFG :

QA :

SCALE : N.T.S.

SHEET : 1 OF 1

PATH : \\F.Assy\MaxFlex\Dual Tier\Duet Tier\

PDF NAME: DTT6024_B_S_0_FZ_0_0_SB_01

SIZE A